



CORONA Lighting

Low Voltage
Landscape Lighting

Volume 2



CORONA LIGHTING



PRODUCT SELECTION 1

LED TECHNOLOGY 9

DIRECTIONAL LIGHTS 10

WELL LIGHTS 26

AREA LIGHTS 38

PATH LIGHTS 52

HANGING LIGHTS 60

STEP LIGHTS 63

SLIM STEP LIGHTS 68

SLIM BRICK LIGHTS 69

UNDERWATER LIGHTS 70

FLEXIBLE B.B.Q. - DECK LIGHTS 74

FLEXIBLE GARDEN LIGHTS 76

120 VOLT FLOOD LIGHTS 78

TRANSFORMERS 79

ACCESSORIES AND PARTS 85

LAMP GUIDE 88

PHOTOMETRICS GUIDE 89

COLOR CHART 91

LANDSCAPE LIGHTING DESIGN 92

PRODUCT INDEX 94

CONTENT

CONTENT

Corona Lighting Inc. is the designer and manufacturer of low voltage landscape lighting products. Our mission is to provide innovative designs, best quality products with most competitive prices, and more importantly, unparalleled service for our valued customers. Service is not just a slogan at Corona Lighting, but a strong belief we adhere to each and every day. Our commitment to this philosophy is the cornerstone of our company.

We are pleased and honored to introduce our new comprehensive Volume 2 catalog. You will see many new and unique products in the pages to come. While we offer numerous models in different finishes and many accessories, our delivery services are unsurpassed in the industry.

We would like to thank both our new and old valued customers for their support in last few years. Our dependable staff is always available to cater to your needs.

For additional information or to locate the professional lighting representative of Corona Lighting in your area, visit us at www.coronalighting.com

Corona Lighting Inc.

CORONA Lighting Inc.

WWW.CORONALIGHTING.COM



PRODUCT SELECTION

DIRECTIONAL LIGHTS

CL-500



Cast Aluminum
MR-16 Lamp, 35W Max
Finish: BK, BZ, GR, RT, VG, WH
PAGE: 23

CL-501



Cast Aluminum
MR-16 Lamp, 50W Max
Finish: BK, BZ, GR, RT, VG, WH
PAGE: 23

CL-502



Cast Aluminum
MR-16 Lamp, 35W Max
Finish: BK, BZ, GR, VG
PAGE: 23

CL-502-BR



Cast Brass
MR-16 Lamp, 35W Max
Finish: BR
PAGE: 15

CL-502-NM



Fiberglass
MR-16 Lamp, 35W Max
Finish: BK
PAGE: 25

CL-503



Cast Aluminum
MR-16 Lamp, 50W Max
Finish: BK, BZ, GR, VG, WH
PAGE: 23

CL-503-BR



Cast Brass
MR-16 Lamp, 50W Max
Finish: BR
PAGE: 15

CL-503-NM



Fiberglass
MR-16 Lamp, 35W Max
Finish: BK
PAGE: 25

CL-504



Cast Aluminum
MR-11 Lamp, 35W Max
Finish: BK, BZ, VG
PAGE: 21

CL-505



Cast Aluminum
MR-16 Lamp, 50W Max
Finish: BK, BZ, GT, RT, VG, WH
PAGE: 21

CL-506



Cast Aluminum
MR-16 Lamp, 35W Max
Finish: BK, VG
PAGE: 22

CL-507



Cast Aluminum
MR-16 Lamp, 50W Max
Finish: BK, VG
PAGE: 22

CL-508



Cast Aluminum
T3 Halogen Lamp, 35W Max
Finish: BK, BZ, VG
PAGE: 24

CL-509



Cast Aluminum
T3 Halogen Lamp, 35W Max
Finish: BK, BZ, VG
PAGE: 24

CL-510



Cast Aluminum
MR-11 Lamp, 35W Max
Finish: BK, VG
PAGE: 22

CL-511



Cast Aluminum
MR-16 Lamp, 50W Max
Finish: BK
PAGE: 20

CL-511-BR



Solid Brass
MR-16 Lamp, 50W Max
Finish: BR
PAGE: 18

CL-511-SS



Solid Stainless Steel
MR-16 Lamp, 35W Max
Finish: SS
PAGE: 19

CL-512



Cast Aluminum
MR-16 Lamp, 50W Max
Finish: BK
PAGE: 20

CL-512-BR



Solid Brass
MR-16 Lamp, 50W Max
Finish: BR
PAGE: 18

CL-512-SS



Solid Stainless Steel
MR-16 Lamp, 35W Max
Finish: SS
PAGE: 19

CL-513



Cast Aluminum
MR-16 Lamp, 50W Max
Finish: BK
PAGE: 20

CL-513-BR



Solid Brass
MR-16 Lamp, 50W Max
Finish: BR
PAGE: 18

CL-513-SS



Solid Stainless Steel
MR-16 Lamp, 35W Max
Finish: SS
PAGE: 19

CL-515



Cast Aluminum
MR-16 Lamp, 35W Max
Finish: BK, BZ, GT, RT, VG, WH
PAGE: 21



PRODUCT SELECTION



2

CL-515-BR



Solid Brass
MR-16 Lamp, 35W Max
Finish: BR
PAGE: 15

CL-516



Cast Aluminum
T3 Halogen Lamp, 35W Max
Finish: BK, BZ, WH
PAGE: 24

CL-519B



Cast Brass
PAR 36 Lamp, 50W Max
Finish: AB
PAGE: 11

CL-520B-BR



Solid Brass
MR-16 Lamp, 35W Max
Finish: BR
PAGE: 16

CL-520C-PC



Solid Copper
MR-16 Lamp, 35W Max
Finish: PC
PAGE: 17

CL-521B-BR



Solid Brass
MR-16 Lamp, 50W Max
Finish: BR
PAGE: 16

CL-521C-PC



Solid Copper
MR-16 Lamp, 35W Max
Finish: PC
PAGE: 17

CL-522C-RC



Solid Copper
MR-16 Lamp, 35W Max
Finish: RC
PAGE: 14

CL-523-BR



Solid Brass
MR-16 Lamp, 50W Max
Finish: BR
PAGE: 13

CL-524-BR



Solid Brass
MR-16 Lamp, 50W Max
Finish: BR
PAGE: 13

CL-525B



Cast Brass
MR-16 Lamp, 50W Max
Finish: AB, BR, SI
PAGE: 11

CL-526B



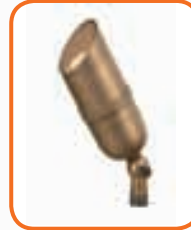
Cast Brass
MR-16 Lamp, 75W Max
Finish: AB
PAGE: 11

CL-528B



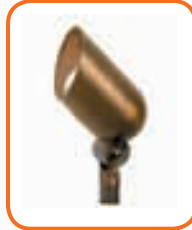
Cast Brass
MR-16 Lamp, 50W Max
Finish: AB, BR
PAGE: 12

CL-529B



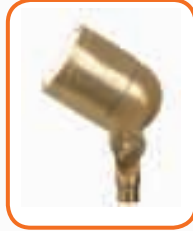
Cast Brass
MR-16 Lamp, 50W Max
Finish: AB, BR
PAGE: 12

CL-535B



Cast Brass
MR-16 Lamp, 50W Max
Finish: AB, BR, SI
PAGE: 10

CL-545B



Cast Brass
MR-16 Lamp, 50W Max
Finish: AB, BR, SI
PAGE: 10

CL-301



WELL LIGHTS

Cast Aluminum
MR-16 Lamp, 50W Max
Finish: BK, VG
PAGE: 32

CL-301-BR



Solid Brass
MR-16 Lamp, 50W Max
Finish: BR
PAGE: 30

CL-301-SS



Solid Stainless Steel
MR-16 Lamp, 35W Max
Finish: SS
PAGE: 31

CL-302



Cast Aluminum
MR-16 Lamp, 50W Max
Finish: BK, VG
PAGE: 32

CL-302-BR



Solid Brass
MR-16 Lamp, 50W Max
Finish: BR
PAGE: 30

CL-302-SS



Solid Stainless Steel
MR-16 Lamp, 35W Max
Finish: SS
PAGE: 31

CL-303



Cast Aluminum
MR-16 Lamp, 50W Max
Finish: BK, VG
PAGE: 32

CL-303-BR



Solid Brass
MR-16 Lamp, 50W Max
Finish: BR
PAGE: 30

CL-303-SS



Solid Stainless Steel
MR-16 Lamp, 35W Max
Finish: SS
PAGE: 31



PRODUCT SELECTION

CL-305



Cast Aluminum
PAR 36 Lamp, 50W Max
Finish: BK, BZ, GR
PAGE: 37

CL-305-NM



Fiberglass
PAR 36 Lamp, 50W Max
Finish: BK
PAGE: 37

CL-306



Cast Aluminum
PAR 36 Lamp, 50W Max
Finish: BK, BZ, GR
PAGE: 37

CL-306-NM



Fiberglass
PAR 36 Lamp, 50W Max
Finish: BK
PAGE: 37

CL-324



Cast Aluminum
MR-16 Lamp, 50W Max
Finish: BK
PAGE: 36

CL-324-BR



Solid Brass
MR-16 Lamp, 50W Max
Finish: BR
PAGE: 34

CL-324-NM



Fiberglass
MR-16 Lamp, 20W Max
Finish: BK
PAGE: 36

CL-324-SS



Solid Stainless Steel
MR-16 Lamp, 35W Max
Finish: SS
PAGE: 35

CL-325



Cast Aluminum
MR-16 Lamp, 50W Max
Finish: BK
PAGE: 36

CL-325-BR



Solid Brass
MR-16 Lamp, 50W Max
Finish: BR
PAGE: 34

CL-325-NM



Fiberglass
MR-16 Lamp, 20W Max
Finish: BK
PAGE: 36

CL-325-SS



Solid Stainless Steel
MR-16 Lamp, 35W Max
Finish: SS
PAGE: 35

CL-326



Cast Aluminum
MR-16 Lamp, 50W Max
Finish: BK
PAGE: 36

CL-326-BR



Solid Brass
MR-16 Lamp, 50W Max
Finish: BR
PAGE: 34

CL-326-NM



Fiberglass
MR-16 Lamp, 20W Max
Finish: BK
PAGE: 36

CL-326-SS



Solid Stainless Steel
MR-16 Lamp, 35W Max
Finish: SS
PAGE: 35

CL-327-SS



Aluminum, SS Face Plate
MR-16 Lamp, 35W Max
Finish: SS
PAGE: 33

CL-328-SS



Aluminum, SS Face Plate
MR-16 Lamp, 35W Max
Finish: SS
PAGE: 33

CL-331



Cast Aluminum / Fiberglass
MR-16 Lamp, 50W / 20W Max
Finish: BK
PAGE: 28

CL-331-BR



Solid Brass
MR-16 Lamp, 50W Max
Finish: BR
PAGE: 26

CL-331-SS



Solid Stainless Steel
MR-16 Lamp, 35W Max
Finish: SS
PAGE: 27

CL-332



Cast Aluminum / Fiberglass
MR-16 Lamp, 50W / 20W Max
Finish: BK
PAGE: 28

CL-332-BR



Solid Brass
MR-16 Lamp, 50W Max
Finish: BR
PAGE: 26

CL-332-SS



Solid Stainless Steel
MR-16 Lamp, 35W Max
Finish: SS
PAGE: 27

CL-333



Cast Aluminum / Fiberglass
MR-16 Lamp, 50W / 20W Max
Finish: BK
PAGE: 28

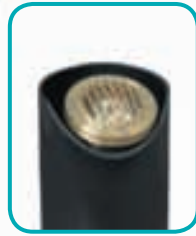


PRODUCT SELECTION



4

CL-333-BR



Solid Brass
MR-16 Lamp, 50W Max
Finish: BR
PAGE: 26

CL-333-SS



Solid Stainless Steel
MR-16 Lamp, 35W Max
Finish: SS
PAGE: 27

CL-334-BR



Solid Brass
MR-16 Lamp, 50W Max
Finish: BR
PAGE: 29

CL-334-SS



Solid Stainless Steel
MR-16 Lamp, 35W Max
Finish: SS
PAGE: 29

CL-336



Solid SS Lamp Holder
PAR 36 Lamp, 50W Max
Finish: BK PVC SLEEVE
PAGE: 29

AREA LIGHTS

CL-602



Cast Aluminum
T3/T4 Lamp, 50W Max
Finish: BK, GR, VG
PAGE: 45

CL-603



Cast Aluminum
T3/T4 Lamp, 50W Max
Finish: BK, GR, VG
PAGE: 45

CL-604



Cast Aluminum
T3/T4 Lamp, 50W Max
Finish: BK, GR, VG
PAGE: 45

CL-605



Cast Aluminum
S. C. Bayonet Lamp, 27W Max
Finish: BK, VG
PAGE: 48

CL-607



Cast Aluminum
T3 Lamp, 20W Max
Finish: BK, GR
PAGE: 50

CL-608



Cast Aluminum
T3 Lamp, 20W Max
Finish: BK, GR
PAGE: 50

CL-609



Cast Aluminum
T3 Lamp, 20W Max
Finish: BK, GR
PAGE: 50

CL-610



Cast Aluminum
T3 Lamp, 20W Max
Finish: BK, GR
PAGE: 51

CL-611



Cast Aluminum
T3 Lamp, 20W Max
Finish: BK, GR
PAGE: 51

CL-612



Cast Aluminum
T3 Lamp, 20W Max
Finish: BK, GR
PAGE: 51

CL-614



Cast Aluminum
T3/T4 Lamp, 50W Max
Finish: BK, GR
PAGE: 46

CL-615



Cast Aluminum
T3/T4 Lamp, 50W Max
Finish: BK, GR
PAGE: 46

CL-616



Cast Aluminum
S. C. Bayonet Lamp, 27W Max
Finish: BK, BZ, GR, RT, VG
PAGE: 47

CL-617



Cast Aluminum
S. C. Bayonet Lamp, 27W Max
Finish: BK, GR, VG
PAGE: 47

CL-618



Cast Aluminum
S. C. Bayonet Lamp, 27W Max
Finish: BK, GR, VG
PAGE: 47

CL-620



Cast Aluminum
MR-11 Lamp, 20W Max
Finish: BK, BZ
PAGE: 49

CL-622



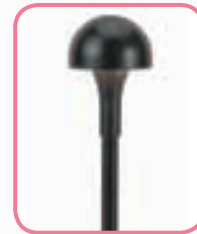
Cast Aluminum
MR-11 Lamp, 20W Max
Finish: BK, BZ
PAGE: 49

CL-624



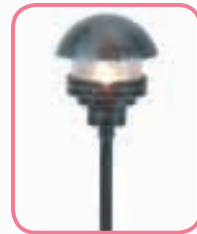
Cast Aluminum
T3 Lamp, 35W Max
Finish: BK, BZ, VG
PAGE: 48

CL-625



Cast Aluminum
T3 Lamp, 35W Max
Finish: BK, BZ, VG
PAGE: 48

CL-626



Cast Aluminum
S. C. Bayonet Lamp, 27W Max
Finish: BK, BZ, VG
PAGE: 48



PRODUCT SELECTION



CL-627
Cast Aluminum
MR-11 Lamp, 20W Max
Finish: BK, BZ
PAGE: 49



CL-628
Cast Aluminum
MR-11 Lamp, 20W Max
Finish: BK, BZ
PAGE: 49



CL-630
Cast Aluminum
S. C. Bayonet Lamp, 27W Max
Finish: BK, VG
PAGE: 42



CL-631
Cast Aluminum
S. C. Bayonet Lamp, 27W Max
Finish: BK, VG
PAGE: 42



CL-632
Cast Aluminum
S. C. Bayonet Lamp, 27W Max
Finish: BK, VG
PAGE: 42



CL-635
Cast Aluminum
S. C. Bayonet Lamp, 27W Max
Finish: BK, VG
PAGE: 43



CL-636
Cast Aluminum
S. C. Bayonet Lamp, 27W Max
Finish: BK, VG
PAGE: 43



CL-637
Cast Aluminum
S. C. Bayonet Lamp, 27W Max
Finish: BK, VG
PAGE: 43



CL-642
Cast Aluminum
T3/T4 Lamp, 50W Max
Finish: BK, GR, VG
PAGE: 44



CL-643
Cast Aluminum
T3/T4 Lamp, 50W Max
Finish: BK, GR, VG
PAGE: 44



CL-644
Cast Aluminum
T3/T4 Lamp, 50W Max
Finish: BK, GR, VG
PAGE: 44



CL-645B
Cast Brass
S. C. Bayonet Lamp, 27W Max
Finish: AB
PAGE: 38



CL-647C
Solid Copper
T3 Lamp, 20W Max
Finish: RC
PAGE: 39



CL-648C
Solid Copper
T3 Lamp, 20W Max
Finish: RC
PAGE: 39



CL-649B
Cast Brass
S. C. Bayonet Lamp, 27W Max
Finish: AB
PAGE: 38



CL-650B
Cast Brass
T3 Lamp, 20W Max
Finish: AB
PAGE: 39



CL-655B
Solid Brass
S. C. Bayonet Lamp, 27W Max
Finish: AB, OC
PAGE: 40



CL-656B
Solid Brass
S. C. Bayonet Lamp, 27W Max
Finish: AB, OC
PAGE: 40



CL-657B
Solid Brass
S. C. Bayonet Lamp, 27W Max
Finish: AB, OC
PAGE: 41



CL-658B
Solid Brass
S. C. Bayonet Lamp, 27W Max
Finish: AB, OC
PAGE: 41



PATH LIGHTS

CL-701
Cast Aluminum
S. C. Bayonet Lamp, 27W Max
Finish: BK, GR, VG
PAGE: 57



CL-702
Cast Aluminum
S. C. Bayonet Lamp, 27W Max
Finish: BK, GR, VG
PAGE: 57



CL-704
Cast Aluminum
S. C. Bayonet Lamp, 27W Max
Finish: BK, GR, VG
PAGE: 56



CL-705
Cast Aluminum
S. C. Bayonet Lamp, 27W Max
Finish: BK, GR, VG
PAGE: 56



CL-707
Cast Aluminum
MR-16 Lamp, 50W Max
Finish: BK, GR, VG
PAGE: 57



PRODUCT SELECTION



6

CL-708



Cast Aluminum
S.C. Bayonet Lamp, 27W Max
Finish: BK, GR, VG
PAGE: 59

CL-709



Cast Aluminum
S.C. Bayonet Lamp, 27W Max
Finish: BK, VG
PAGE: 59

CL-710



Cast Aluminum
S.C. Bayonet Lamp, 27W Max
Finish: BK, VG
PAGE: 58

CL-711



Cast Aluminum
S.C. Bayonet Lamp, 27W Max
Finish: BK, VG
PAGE: 58

CL-712B



Solid Brass
S.C. Bayonet Lamp, 27W Max
Finish: AB, OC
PAGE: 53

CL-713B



Solid Brass
S.C. Bayonet Lamp, 27W Max
Finish: AB, BR, OC
PAGE: 53

CL-715B



Solid Brass
S.C. Bayonet Lamp, 27W Max
Finish: AB, BR, OC
PAGE: 54

CL-715C



Solid Copper
S.C. Bayonet Lamp, 27W Max
Finish: RC
PAGE: 55

CL-716B



Solid Brass
S.C. Bayonet Lamp, 27W Max
Finish: AB, BR, OC
PAGE: 54

CL-716C



Solid Copper
S.C. Bayonet Lamp, 27W Max
Finish: RC
PAGE: 55

CL-724B



Solid Brass
S.C. Bayonet Lamp, 27W Max
Finish: AB, OC
PAGE: 52

CL-725B



Solid Brass
S.C. Bayonet Lamp, 27W Max
Finish: AB, OC
PAGE: 52

CL-379



HANGING LIGHTS

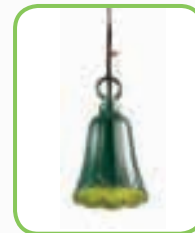
Cast Aluminum
MR-16 Lamp, 50W Max
Finish: BK
PAGE: 62

CL-380



Cast Aluminum
MR-16 Lamp, 50W Max
Finish: BK, GR
PAGE: 62

CL-381



Cast Aluminum
MR-16 Lamp, 50W Max
Finish: BK, GR
PAGE: 62

CL-382



Solid Brass Lens Holder
S.C. Bayonet Lamp, 27W Max
Finish: BK, GR
PAGE: 62

CL-384B



Solid Brass
S.C. Bayonet Lamp, 27W Max
Finish: BR
PAGE: 60

CL-384C



Solid Copper
S.C. Bayonet Lamp, 27W Max
Finish: RC
PAGE: 60

CL-385



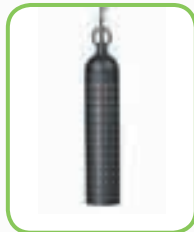
Cast Aluminum, 5.25" H
MR-11 Lamp, 35W Max
Finish: BK
PAGE: 61

CL-387



Cast Aluminum, 8.25" H
MR-11 Lamp, 35W Max
Finish: BK, GR
PAGE: 61

CL-389



Cast Aluminum, 11.25" H
MR-11 Lamp, 35W Max
Finish: BK
PAGE: 61

CL-391



Cast Aluminum, 14.25" H
MR-11 Lamp, 35W Max
Finish: BK
PAGE: 61

CL-342B



STEP LIGHTS

Cast Brass, Surface Mount
T5 Wedge Lamp, 18W Max
Finish: AB, BR, SI
PAGE: 63

CL-343B



Cast Brass, Surface Mount
T5 Wedge Lamp, 18W Max
Finish: AB, BR, SI
PAGE: 63

CL-350



Steel Recessed Mount Box
T5 Wedge Lamp, 18W Max
Finish: BK, BZ, WH, CU, PB, SI
PAGE: 66



CL-351
Steel Recessed Mount Box
T5 Wedge Lamp, 18W Max
Finish: BK, BZ, WH, CU, PB, SI
PAGE: 66



CL-352
Cast Aluminum, Surface Mount
T5 Wedge Lamp, 18W Max
Finish: BK, BZ, WH
PAGE: 65



CL-352-BR
Solid Brass, Surface Mount
T5 Wedge Lamp, 18W Max
Finish: BR
PAGE: 64



CL-352-SS
Stainless Steel, Surface Mount
T5 Wedge Lamp, 18W Max
Finish: SS
PAGE: 64



CL-353
Cast Aluminum, Surface Mount
T5 Wedge Lamp, 18W Max
Finish: BK, BZ, WH
PAGE: 65



CL-353-BR
Solid Brass, Surface Mount
T5 Wedge Lamp, 18W Max
Finish: BR
PAGE: 64



CL-353-SS
Stainless Steel, Surface Mount
T5 Wedge Lamp, 18W Max
Finish: SS
PAGE: 64



CL-354
Cast Aluminum, Recessed Mount
T5 Wedge Lamp, 18W Max
Finish: BK, WH
PAGE: 65



CL-355
Cast Aluminum, Recessed Mount
T5 Wedge Lamp, 18W Max
Finish: BK, WH
PAGE: 65



CL-356
Steel Recessed Mount Box
T5 Wedge Lamp, 18W Max
Finish: BK, BZ, WH, CU, PB, SI
PAGE: 66



CL-357
Steel Recessed Mount Box
T5 Wedge Lamp, 18W Max
Finish: BK, BZ, WH, CU, PB, SI
PAGE: 67



CL-358
Steel Recessed Mount Box
T5 Wedge Lamp, 18W Max
Finish: BK, BZ, WH, CU, PB, SI
PAGE: 67



CL-359
Steel Recessed Mount Box
T5 Wedge Lamp, 18W Max
Finish: BK, BZ, WH, CU, PB, SI
PAGES: 67



CL-360
Steel Recessed Mount Box
S.C. Bayonet Lamp, 27W Max
Finish: BK, BZ, RT, WH, AB, OC, RC
PAGES: 68



CL-361
Steel Recessed Mount Box
S.C. Bayonet Lamp, 27W Max
Finish: BK, BZ, RT, WH, AB, OC, RC
PAGE: 68



CL-362
Steel Recessed Mount Box
S.C. Bayonet Lamp, 27W Max
Finish: BK, BZ, RT, WH, AB, OC, RC
PAGE: 68



CL-366
Steel Recessed Mount Box
S.C. Bayonet, 2 x 27W Max
Finish: BK, BZ, RT, WH, AB, OC, RC
PAGE: 69



CL-367
Steel Recessed Mount Box
S.C. Bayonet, 2 x 27W Max
Finish: BK, BZ, RT, WH, AB, OC, RC
PAGES: 69



CL-310
Cast Aluminum
MR-16 Lamp, 50W Max
Finish: BK
PAGES: 72



CL-311-BR
Solid Brass
MR-16 Lamp, 50W Max
Finish: BR
PAGE: 70



CL-311-SS
Solid Stainless Steel
MR-16 Lamp, 50W Max
Finish: SS
PAGE: 70



CL-313-BR
Solid Brass
PAR-36 Lamp, 50W Max
Finish: BR
PAGE: 71



CL-320-NM
Fiberglass
T3 Lamp, 35W Max
Finish: BK
PAGES: 73



CL-321-NM
Polycarbonate
T5 Wedge Lamp, 18W Max
Finish: BK
PAGES: 73



CL-801-D
Cast Aluminum
T3 Lamp, 35W Max
Finish: BK
PAGE: 75



CL-802-D
Cast Aluminum
MR-11 Lamp, 35W Max
Finish: BK
PAGE: 75



CL-803-D
Cast Aluminum
MR-16 Lamp, 50W Max
Finish: BK
PAGE: 75



CL-806-D-SI
Solid Brass, Chrome Plated
T3/SC Lamp, 20W Max
Finish: SI
PAGE: 74



CL-807-D
Cast Aluminum
MR-16 Lamp, 50W Max
Finish: BK, SI
PAGE: 75



FLEXIBLE GARDEN LIGHTS

CL-801-F
Cast Aluminum
T3 Lamp, 35W Max
Finish: BK
PAGE: 77



CL-802-F
Cast Aluminum
MR-11 Lamp, 35W Max
Finish: BK
PAGE: 77



CL-803-F
Cast Aluminum
MR-16 Lamp, 50W Max
Finish: BK
PAGE: 77



CL-806-F-SI
Solid Brass, Chrome Plated
S. C. Bayonet Lamp, 27W Max
Finish: SI
PAGE: 76



CL-807-F
Cast Aluminum
MR-16 Lamp, 50W Max
Finish: BK, SI
PAGE: 77



120 VOLT FLOOD LIGHTS

ES-1303
120 VOLT
Polycarbonate Housing
PL-13C, 1 x 13W
Finish: BK, GR, WH
PAGE: 78



ES-2603
120 VOLT
Polycarbonate Housing
PL-13C, 2 x 13W
Finish: BK, GR, WH
PAGE: 78



WS-40
120 VOLT
Polycarbonate Housing
PL-13C, 3 x 13W
Finish: BK
PAGE: 78



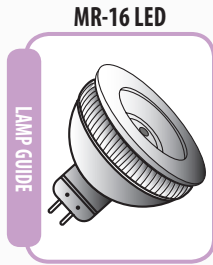
TRANSFORMERS

T-ST300-TP
WATTAGE: 300, 600, 900W
MULTITAP: 12, 13, 14V
ENCLOSURE: Stainless Steel
PAGE: 79



ACCESSORIES & PARTS

CX-603
PVC Mounting Post
Available: 1", 2", 3"
Finish: BK, VG
PAGE: 85



LAMP GUIDE

MR-16 LED
12 Volt, Bi-Pin
1W
Warm White
PAGE: 88

COLOR GUIDE

POWDER COATED

- BK Black
- BZ Bronze
- GR Green
- GT Granite
- RT Rust
- VG Verde Green
- WH White

PLATED

- CU Copper
- PB Polish Brass
- SI Silver

NATURAL

- BR Brass
- PC Polish Copper
- RC Raw Copper
- SS Stainless Steel

NATURAL TONING

- Process Colors on some brass products*
- AB Antique Bronze
 - OC Old Copper

COLOR CHART

POWDER COATED



PLATED



NATURAL

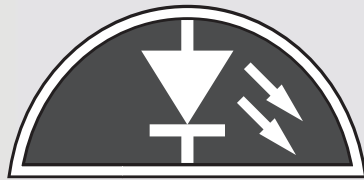


NATURAL TONING



NOTE: Not all finishes available for all fixtures

- See page 1 through 8 to select appropriate finishes of each fixture before ordering.
- When ordering, add the 2 letter color code to the end of the product number.



LED AVAILABLE

Be sure to look for the **LED AVAILABLE** logo, now featured throughout this catalog. This logo signifies products that can be ordered with Corona LED lamps.

Corona *LED* lamps are durable, shock and vibration resistant, compact enough to fit most Corona luminaires.

Moreover, Corona *LED* fixtures can easily be combined with existing lighting systems.



LED TECHNOLOGY

Corona Lighting LED lamps

As the designer and manufacturer of landscape lighting products, Corona Lighting dutifully provides you with the newest designs in landscape lighting systems.

Corona Lighting is proud to offer *LED* luminaires, providing un-paralleled resilience, efficiency and power to meet your landscape lighting needs.

Corona Lighting *LED* products provide the consumer with a no hassle solution to creating lighting in locations that are hard to re-lamp. No lamp access is necessary. No lamp service is required.



ADVANTAGES OF USING LED LAMPS:

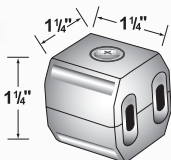
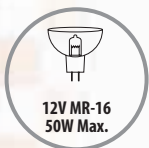
- High efficiency and long life span
- No damage to lamp sockets due to heat release
- Maintenance and service free
- No effect of humidity on lamp socket
- Low cost of electric consumption
- Truly environmentally friendly
- No voltage drop problems
- Lead and mercury free



CORONA Lighting Inc.

WWW.CORONALIGHTING.COM

12 VOLT DIRECTIONAL LIGHTS



CX-839
CORONA UNIVERSAL
CONNECTOR AVAILABLE.

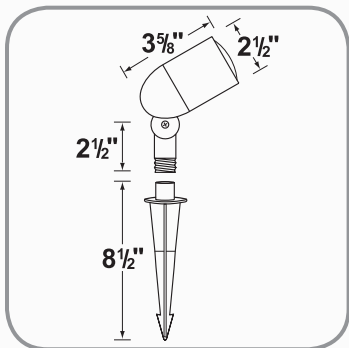
- Fixtures are supplied with 20W MR-16 lamp.
- Remote 12 Volt transformer is required.
- See page 79 to 87 for transformers and accessories.



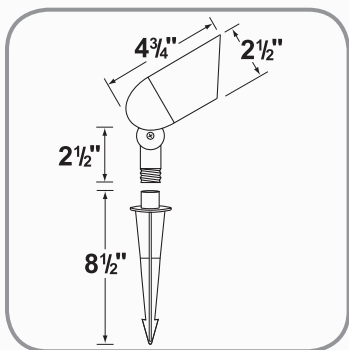
CL-545B-SI



CL-535B-AB



CL-545B-AB



CL-535B-SI

SPECIFICATIONS

HOUSING: Die-cast solid brass. Easy turn & lock shrouds with silicone "O" ring gaskets.

FINISH: Natural toning process, available in **AB**-Antique Bronze, **BR**-Natural Brass and **SI**-Silver Plated. Antique Bronze finish will vary due to artistic natural process.

LENS: Clear and heat resistant convex shape glass.

See page 86 for special effect lenses and honeycomb louver.

LAMP TYPE: 12V, MR-16 halogen, 50W max.

See page 88 for LED and color MR-16 lamps.

MOUNTING: Adjustable cast brass knuckle with 1/2" NPT, including ABS ground spike.

See page 85 for optional mounting hardware.

WIRING: Fixtures are prewired with a 3-foot pigtail of burial cable.



12 VOLT DIRECTIONAL LIGHTS

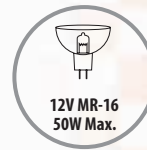
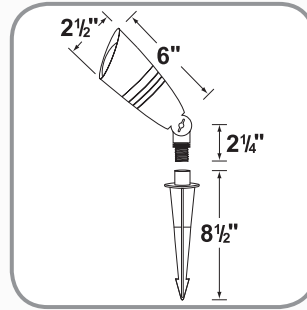
CL-525B-AB



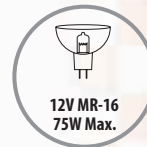
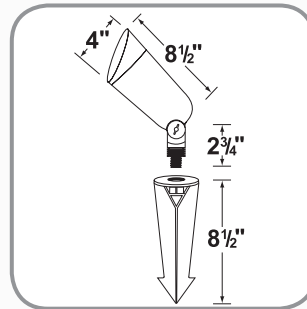
CL-525B-SI



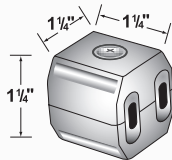
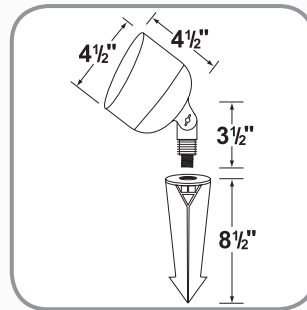
LED AVAILABLE
FOR CL-525B AND CL-526B ONLY



CL-526B-AB



CL-519B-AB



CX-839
CORONA UNIVERSAL
CONNECTOR AVAILABLE.

- CL-525B and CL-526B are supplied with 20W MR-16 and CL-519B could be supplied with different kinds of PAR36 lamps.
- Remote 12 Volt transformer is required.
- See page 79 to 87 for transformers and accessories.

SPECIFICATIONS

HOUSING: Die-cast solid brass. Easy turn & lock shrouds with silicone "O" ring gaskets.

FINISH: Natural toning process, available in **AB**-Antique Bronze (**BR**-Natural Brass and **SI**-Silver Plated for CL-525B only). **AB** finish will vary due to artistic natural process.

LENS: Clear and heat resistant glass (convex shape lens for CL-525B).

See page 86 for special effect lenses and honeycomb louver used in CL-525B and CL-526B only.

LAMP TYPE: 12V, MR-16 halogen, 50W max. for CL-525B, 75W max. for CL-526B and PAR36, 50W max. for CL-519B. See page 88 for LED and color MR-16 lamps.

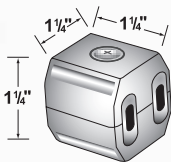
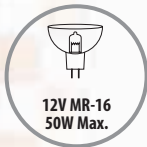
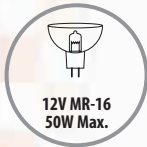
MOUNTING: Adjustable cast brass knuckle with 1/2" NPT, including ABS ground spike.

See page 85 for optional mounting hardware.

WIRING: Fixtures are prewired with a 3-foot pigtail of burial cable.

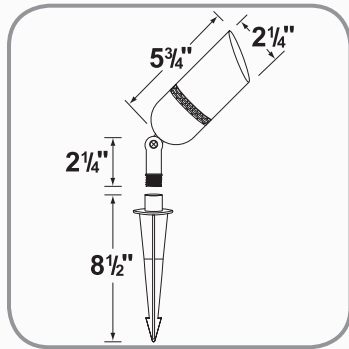


12 VOLT DIRECTIONAL LIGHTS

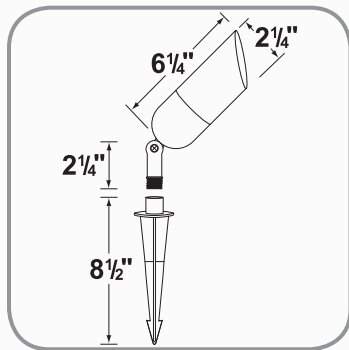


CX-839
CORONA UNIVERSAL
CONNECTOR AVAILABLE.

- Fixtures are supplied with 20W MR-16 lamp.
- Remote 12 Volt transformer is required.
- See page 79 to 87 for transformers and accessories.



CL-529B-AB



CL-528B-AB

SPECIFICATIONS

HOUSING: Die-cast solid brass. Easy turn & lock shrouds with silicone "O" ring gaskets.

FINISH: Natural toning process, available in **AB**-Antique Bronze and **BR**-Natural Brass. Antique Bronze finish will vary due to artistic natural process.

LENS: Clear and heat resistant convex shape glass.

See page 86 for special effect lenses and honeycomb louver.

LAMP TYPE: 12V, MR-16 halogen, 50W max.

See page 88 for LED and color MR-16 lamps.

MOUNTING: Adjustable cast brass knuckle with 1/2" NPT, including ABS ground spike.

See page 85 for optional mounting hardware.

WIRING: Fixtures are prewired with a 3-foot pigtail of burial cable.

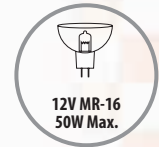
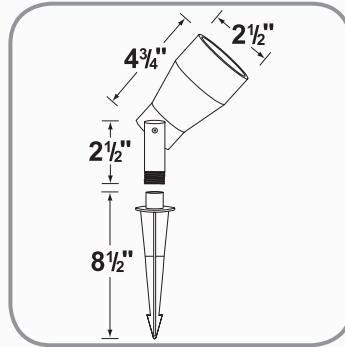


12 VOLT DIRECTIONAL LIGHTS

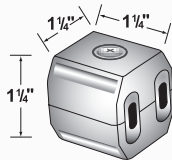
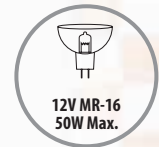
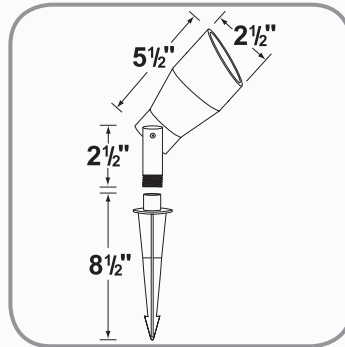
CL-524-BR



CL-523-BR



CL-524-BR



CX-839
CORONA UNIVERSAL
CONNECTOR AVAILABLE.

SPECIFICATIONS

HOUSING: Solid brass. Easy turn & lock shrouds with silicone "O" ring gaskets.

FINISH: BR-Natural Brass

LENS: Clear and heat resistant convex glass.

See page 86 for special effect lenses and honeycomb louver.

LAMP TYPE: 12V, MR-16 halogen, 50W max.

See page 88 for LED and color MR-16 lamps.

MOUNTING: Adjustable brass knuckle with 1/2" NPT, including ground spike.

See page 85 for optional mounting hardware.

WIRING: Fixtures are prewired with a 3-foot pigtail of burial cable.

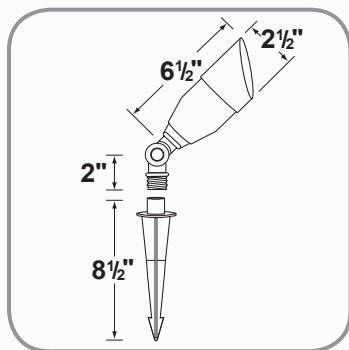
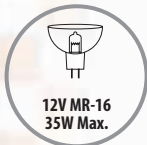
- Fixtures are supplied with 20W MR-16 lamp.
- Remote 12 Volt transformer is required.
- See page 79 to 87 for transformers and accessories.



12 VOLT DIRECTIONAL LIGHTS

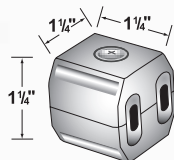


CL-522C-RC



CL-522C-RC

14



CX-839
CORONA UNIVERSAL
CONNECTOR AVAILABLE.

SPECIFICATIONS

HOUSING: Die-cast solid copper. Easy turn & lock shroud with Silicone gasket.

FINISH: Available in RC-Raw Copper.

LENS: Clear, tempered, and heat resistant glass (convex shape lens).

See page 86 for special effect lenses and honeycomb louver.

LAMP TYPE: 12V, MR-16 halogen, 35W max.

See page 88 for LED and color MR-16 lamps.

MOUNTING: Adjustable cast brass knuckle with 1/2" NPT, including ABS ground spike.

See page 85 for optional mounting hardware.

WIRING: Fixture is prewired with a 3-foot pigtail of direct burial cable.

- Fixture is supplied with 20W MR-16 lamp.
- Remote 12 Volt transformer is required.

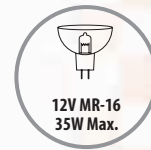
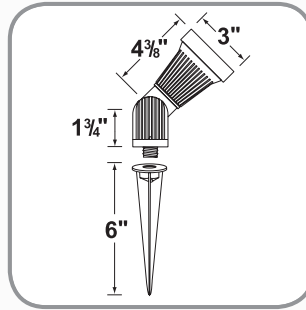
CORONA Lighting Inc.

WWW.CORONALIGHTING.COM

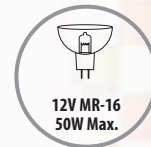
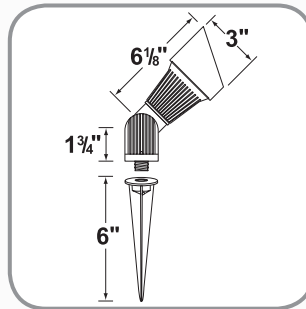
CL-503-BR



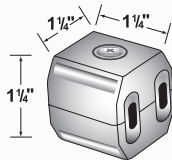
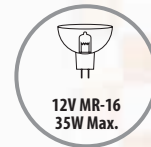
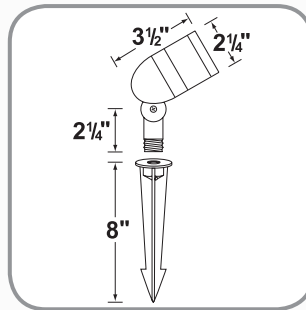
CL-502-BR



CL-503-BR



CL-515-BR



CX-839 CORONA UNIVERSAL CONNECTOR AVAILABLE.

- Fixtures are supplied with 20W MR-16 lamp.
- Remote 12 Volt transformer is required.
- See page 79 to 87 for transformers and accessories.

SPECIFICATIONS

HOUSING: Die-cast solid brass.

FINISH: BR-Natural Brass

LENS: Clear, tempered, and heat resistant glass with silicone gasket.

See page 86 for special effect lenses, honeycomb louver. Frosted glass lens CX-251-FR available for CL-502-BR, CL-503-BR only.

LAMP TYPE: 12V, MR-16 halogen, 50W max. for CL-503-BR and 35W max. for CL-502-BR and CL-515-BR. See page 88 for LED and color MR-16 lamps.

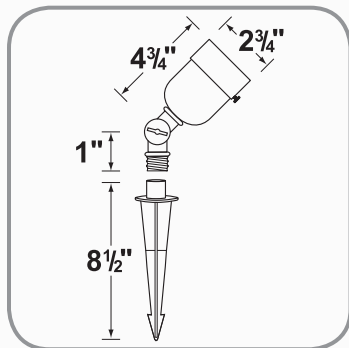
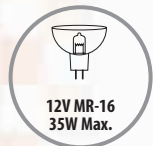
MOUNTING: Adjustable cast brass knuckle with 1/2" NPT, including brass ground spike. See page 85 for optional mounting hardware.

WIRING: All fixtures are prewired with a 3-foot pigtail of burial cable.

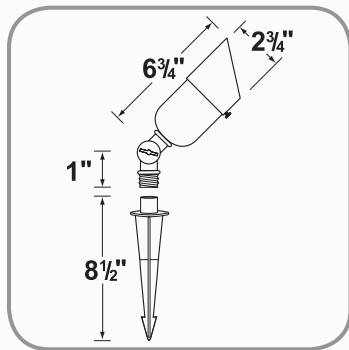
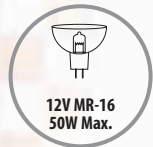


12 VOLT DIRECTIONAL LIGHTS

12 VOLT DIRECTIONAL LIGHTS



CL-520B-BR

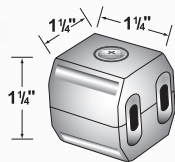


CL-521B-BR



CL-521B-BR

16



CX-839
CORONA UNIVERSAL
CONNECTOR AVAILABLE.

SPECIFICATIONS

HOUSING: Solid brass. 360 degree rotatable shrouds fitted to housing with silicone "O" ring gasket.

FINISH: BR-Natural Brass

LENS: Clear, tempered, and heat resistant glass.

See page 86 for special effect lenses and honeycomb louver.

LAMP TYPE: 12V, MR-16 halogen, 35W max. for CL-520B and 50W max. for CL-521B.

See page 88 for LED and color MR-16 lamps.

MOUNTING: Adjustable brass knuckle with 1/2" NPT, including ABS ground spike.

See page 85 for optional mounting hardware.

WIRING: All fixtures are prewired with a 3-foot pigtail of burial cable.

- Fixtures are supplied with 20W MR-16 lamp.
- Remote 12 Volt transformer is required.
- See page 79 to 87 for transformers and accessories.

CORONA Lighting Inc.

WWW.CORONALIGHTING.COM

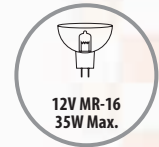
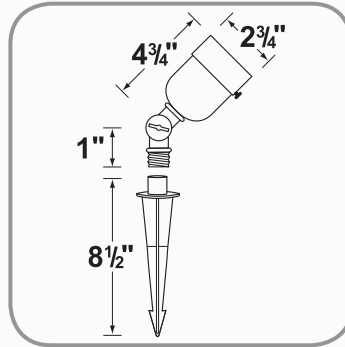


12 VOLT DIRECTIONAL LIGHTS

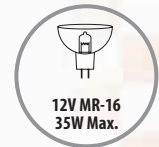
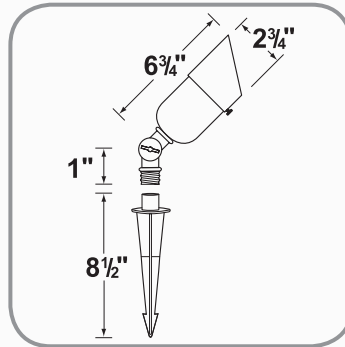
CL-521C-PC



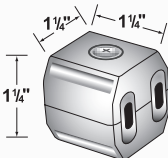
CL-520C-PC



CL-521C-PC



17



CX-839
CORONA UNIVERSAL
CONNECTOR AVAILABLE.

SPECIFICATIONS

HOUSING: Solid copper. 360 degree rotatable shrouds with silicone "O" ring gasket.

FINISH: PC-Polish Copper

LENS: Clear, tempered, and heat resistant glass.

See page 86 for special effect lenses and honeycomb louver.

LAMP TYPE: 12V, MR-16 halogen, 35W max.

See page 88 for LED and color MR-16 lamps.

MOUNTING: Adjustable brass knuckle with 1/2" NPT, including ABS ground spike.

See page 85 for optional mounting hardware.

WIRING: All fixtures are prewired with a 3-foot pigtail of burial cable.

- Fixtures are supplied with 20W MR-16 lamp.
- Remote 12 Volt transformer is required.
- See page 79 to 87 for transformers and accessories.

CORONA Lighting Inc.

WWW.CORONALIGHTING.COM



12 VOLT DIRECTIONAL LIGHTS



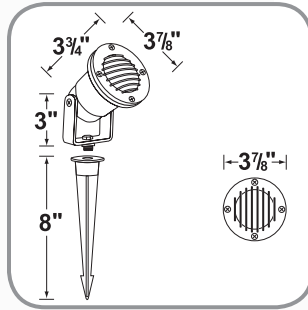
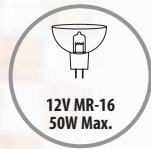
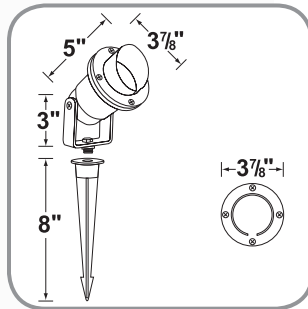
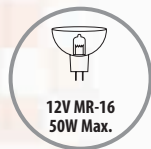
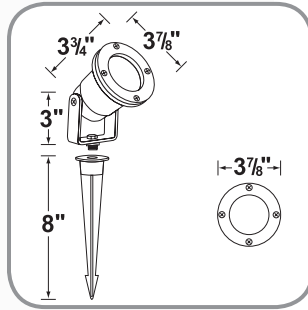
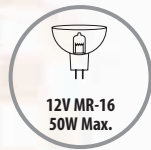
CL-511-BR



CL-511-BR

CL-512-BR

CL-513-BR



SPECIFICATIONS

HOUSING: Solid brass.

FINISH: BR-Natural Brass.

LENS: Clear, tempered, and heat resistant glass with silicone gasket.

See page 86 for special effect lenses, honeycomb louver, and frosted lens CX-380-FR.

LAMP TYPE: 12V, MR-16 halogen, 50W max.

See page 88 for LED and color MR-16 lamps.

MOUNTING: Brass yoke with 1/2" NPT male bushing mounted on brass ground spike.

See page 85 for optional mounting hardware.

WIRING: All fixtures are prewired with a 3-foot pigtail of burial cable.

- Fixtures are supplied with 20W MR16 lamp.
- Remote 12 Volt transformer is required.
- See page 79 to 87 for transformers and accessories.

CORONA Lighting Inc.

WWW.CORONALIGHTING.COM



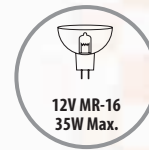
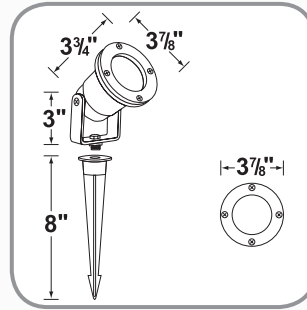
12 VOLT DIRECTIONAL LIGHTS



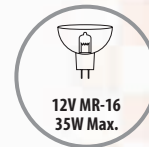
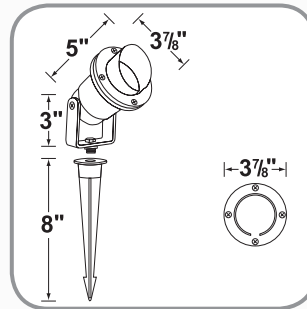
CL-512-SS



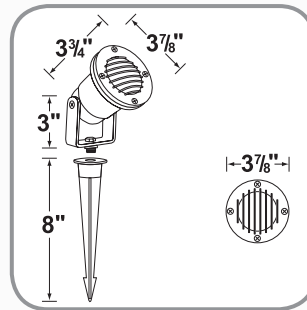
CL-511-SS



CL-512-SS



CL-513-SS



CX-854
DIRECT BURIAL
WIRENUT AVAILABLE.

- Fixtures are supplied with 20W MR16 lamp.
- Remote 12 Volt transformer is required.
- See page 79 to 87 for transformers and accessories.

SPECIFICATIONS

HOUSING: Solid stainless steel.

FINISH: SS-Natural Stainless Steel.

LENS: Clear, tempered, and heat resistant glass with silicone gasket.

See page 86 for special effect lenses, honeycomb louver, and frosted lens CX-380-FR.

LAMP TYPE: 12V, MR-16 halogen, 35W max.

See page 88 for LED and color MR-16 lamps.

MOUNTING: Stainless steel yoke with 1/2" NPT male bushing mounted on stainless steel ground spike. See page 85 for optional mounting hardware.

WIRING: All fixtures are prewired with a 3-foot pigtail of burial cable.



12 VOLT DIRECTIONAL LIGHTS



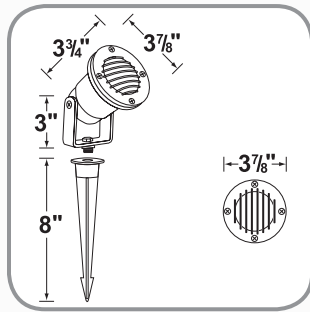
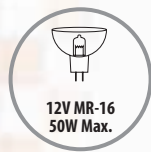
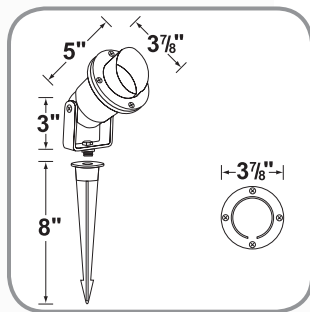
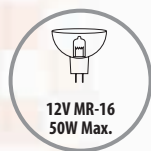
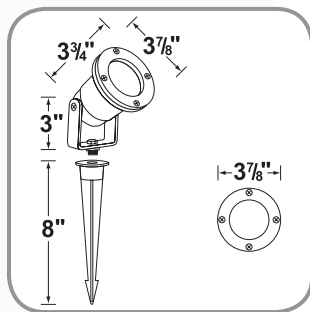
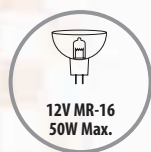
CL-513



CL-511

CL-512

CL-513



- Fixtures are supplied with 20W MR-16 lamp.
- Remote 12 Volt transformer is required.
- See page 79 to 87 for transformers and accessories.
- When ordering, add the 2 letter color code to the end of the product number.

SPECIFICATIONS

HOUSING: Die-cast aluminum.

FINISH: Polyester UV powder coated, available in **BK-Black**.

LENS: Clear, tempered, and heat resistant glass with silicone gasket.

See page 86 for special effect lenses, honeycomb louver, and frosted lens CX-380-FR.

LAMP TYPE: 12V, MR-16 halogen, 50W max

See page 88 for LED and color MR-16 lamps.

MOUNTING: Yoke mounted on ground spike.

WIRING: All fixtures are prewired with a 3-foot pigtail of burial cable.



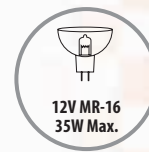
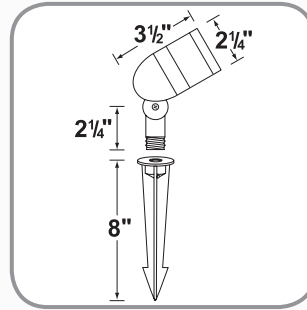
12 VOLT DIRECTIONAL LIGHTS



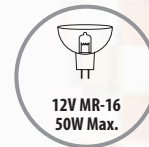
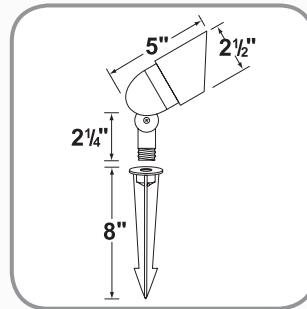
CL-505



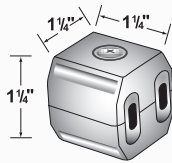
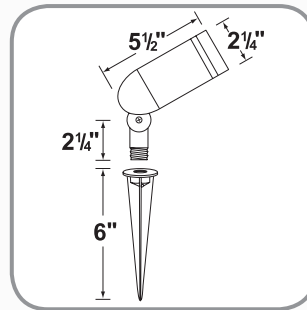
CL-515



CL-505



CL-504



CX-839 CORONA UNIVERSAL CONNECTOR AVAILABLE.

- Fixtures are supplied with 20W lamps.
- Remote 12 Volt transformer is required.
- See page 79 to 87 for transformers and accessories.
- When ordering, add the 2 letter color code to the end of the product number.

SPECIFICATIONS

HOUSING: Die-cast aluminum. 360 degree rotatable shroud for CL-505.

FINISH: Polyester UV powder coated, available in **BK**-Black, **BZ**-Bronze, **VG**-Verde Green (**GT**-Granite, **RT**-Rust and **WH**-White available on CL-505 and CL-515 only).

LENS: Clear, tempered, and heat resistant glass with silicone gasket.

See page 86 for special effect lenses and honeycomb louver (CL-505 and CL-515 only).

LAMP TYPE: 12V, MR-16 halogen, 50W max. for CL-505, 35W max. for CL-515 and MR-11 halogen, 35W max. for CL-504. See page 88 for LED and color MR-16 lamps.

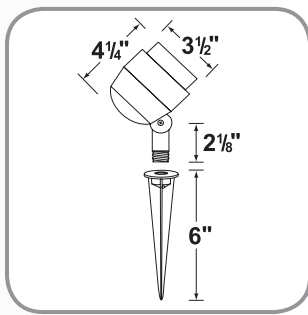
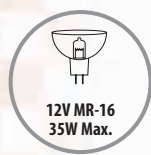
MOUNTING: Adjustable cast aluminum knuckle with 1/2" NPT, including ground spike. See page 85 for optional mounting hardware.

WIRING: All fixtures are prewired with a 3-foot pigtail of burial cable.

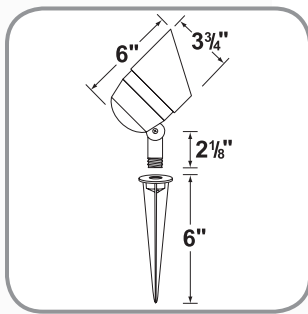
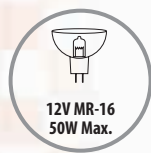


12 VOLT DIRECTIONAL LIGHTS

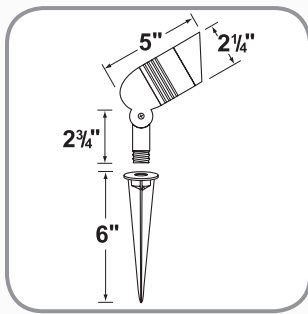
LED AVAILABLE
FOR CL-506 AND CL-507 ONLY



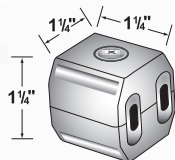
CL-506



CL-507



CL-510



CX-839
CORONA UNIVERSAL
CONNECTOR AVAILABLE.

- Fixtures are supplied with 20W lamps.
- Remote 12 Volt transformer is required.
- See page 79 to 87 for transformers and accessories.
- When ordering, add the 2 letter color code to the end of the product number.

SPECIFICATIONS

HOUSING: Die-cast aluminum.

FINISH: Polyester UV powder coated, available in **BK**-Black, **VG**-Verde Green.

LENS: Clear, tempered, and heat resistant glass with silicone gasket.

See page 86 for special effect lenses and honeycomb louver.

LAMP TYPE: 12V, MR-16 halogen, 35W max. for CL-506, 50W max. for CL-507 and MR-11 halogen, 35W max. for CL-510. See page 88 for LED and color MR-16 lamps.

MOUNTING: Adjustable cast aluminum knuckle with 1/2" NPT, including ground spike. See page 85 for optional mounting hardware.

WIRING: All fixtures are prewired with a 3-foot pigtail of burial cable.

CORONA Lighting Inc.

WWW.CORONALIGHTING.COM



12 VOLT DIRECTIONAL LIGHTS



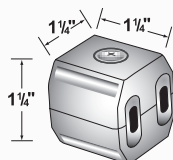
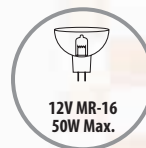
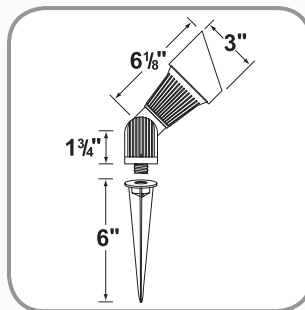
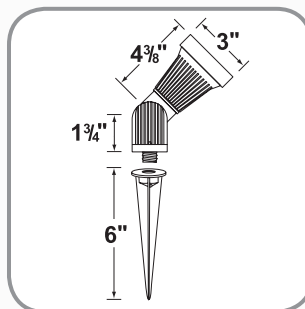
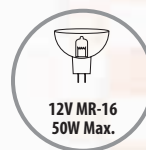
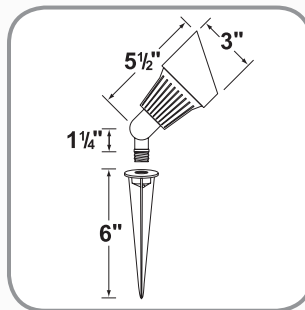
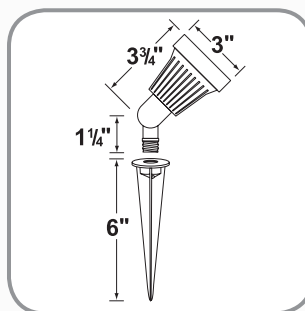
CL-503

CL-500

CL-501

CL-502

CL-503



CX-839 CORONA UNIVERSAL CONNECTOR AVAILABLE.

- Fixtures are supplied with 20W MR-16 lamp.
- Remote 12 Volt transformer is required.
- See page 79 to 87 for transformers and accessories.
- When ordering, add the 2 letter color code to the end of the product number.

SPECIFICATIONS

HOUSING: Die-cast aluminum.

FINISH: Polyester UV powder coated, available in **BK**-Black, **BZ**-Bronze, **GR**-Green, **VG**-Verde Green (**RT**-Rust available on CL-500, CL-501 and **WH**-White on CL-500, CL-501, CL-503).

LENS: Clear, tempered, and heat resistant glass with silicone gasket.

See page 86 for special effect lenses, honeycomb louver and frosted glass lens CX-251-FR.

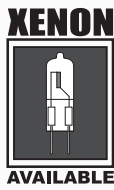
LAMP TYPE: 12V, MR-16 halogen, 50W max. for CL-501 and CL-503, 35W max. for CL-500 and CL-502. See page 88 for LED and color MR-16 lamps.

MOUNTING: Adjustable cast aluminum knuckle with 1/2" NPT, including ground spike. See page 85 for optional mounting hardware.

WIRING: All fixtures are prewired with a 3-foot pigtail of burial cable.



12 VOLT DIRECTIONAL LIGHTS



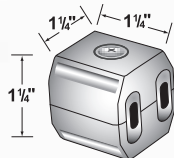
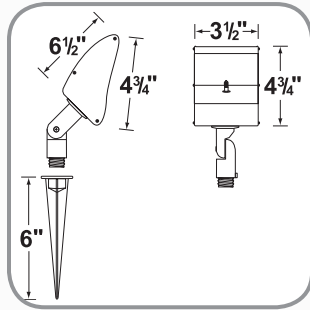
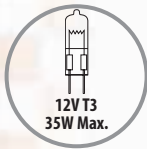
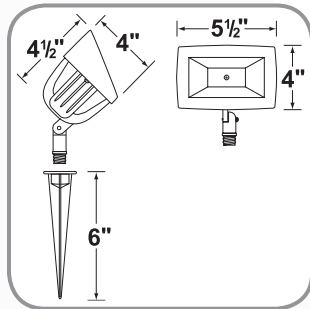
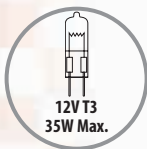
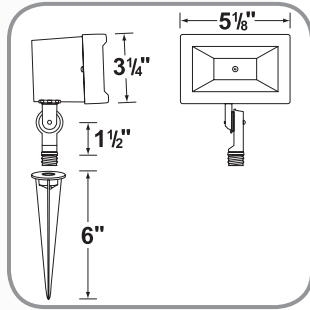
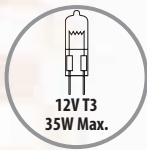
CL-509



CL-508

CL-509

CL-516



CX-839
CORONA UNIVERSAL
CONNECTOR AVAILABLE.

SPECIFICATIONS

HOUSING: Die-cast aluminum.

FINISH: Polyester UV powder coated, available in **BK**-Black, **BZ**-Bronze (**VG**-Verde Green available on CL-508, CL-509 and **WH**-White on CL-516).

LENS: Clear, tempered, and heat resistant glass.

LAMP TYPE: 12V, T3 halogen, 35W max. See page 88 for T3 xenon lamps.

MOUNTING: Adjustable cast aluminum knuckle with 1/2" NPT, including ground spike. See page 85 for optional mounting hardware.

WIRING: All fixtures are prewired with a 3-foot pigtail of burial cable.

- Fixtures are supplied with 20W T3 halogen lamp.
- Remote 12 Volt transformer is required.
- See page 79 to 87 for transformers and accessories.
- When ordering, add the 2 letter color code to the end of the product number.



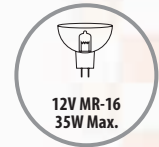
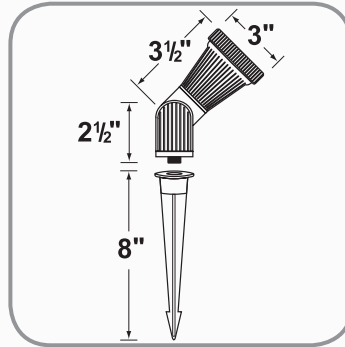
12 VOLT DIRECTIONAL LIGHTS



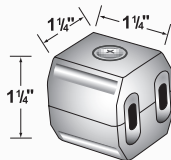
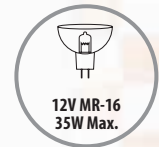
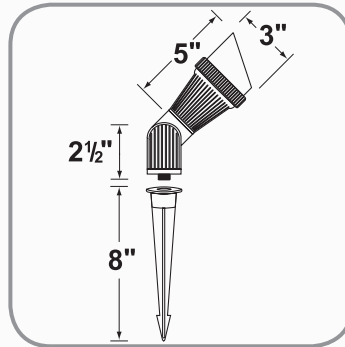
CL-503-NM



CL-502-NM



CL-503-NM



CX-839 CORONA UNIVERSAL CONNECTOR AVAILABLE.

SPECIFICATIONS

HOUSING: Injection-molded fiberglass for high UV stability.

FINISH: BK-Black.

LENS: Clear, tempered, and heat resistant glass with silicone gasket.

See page 86 for special effect lenses, honeycomb louver and frosted glass lens CX-251-FR.

LAMP TYPE: 12V, MR-16 halogen, 35W max.

See page 88 for LED and color MR-16 lamps.

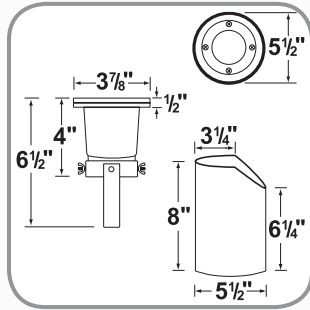
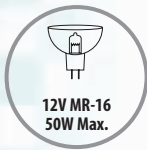
MOUNTING: Adjustable injection-molded fiberglass knuckle with 1/2" NPT, including ground spike. See page 85 for optional mounting hardware.

WIRING: All fixtures are prewired with a 3-foot pigtail of burial cable.

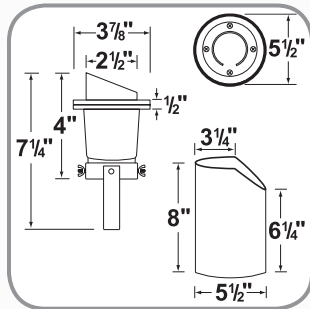
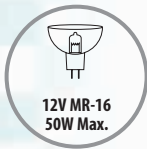
- Fixtures are supplied with 20W MR-16 lamp.
- Remote 12 Volt transformer is required.
- See page 79 to 87 for transformers and accessories.



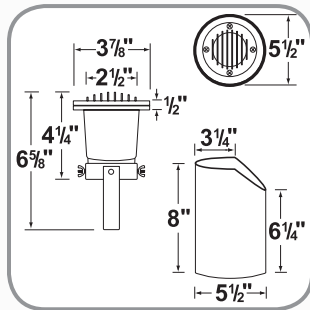
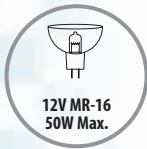
12 VOLT WELL LIGHTS



CL-331-BR



CL-332-BR



CL-333-BR

26



- Fixtures are supplied with 20W MR-16 lamp.
- Remote 12 Volt transformer is required.
- See page 79 to 87 for transformers and accessories.

SPECIFICATIONS

HOUSING: Solid brass fixtures, suspended inside a reversible flat or angled cut PVC sleeve, provides in-ground support. Fixtures are adjustable inside the PVC sleeve for light aiming.

FINISH: BR-Natural Brass fixtures. PVC sleeve available in black only.

LENS: Clear, tempered, and heat resistant glass with silicone gasket.

See page 86 for special effect lenses, honeycomb louver and frosted glass lens CX-380-FR.

LAMP TYPE: 12V, MR-16 halogen, 50W max. See page 88 for LED and color MR-16 lamps.

MOUNTING: In-ground direct burial or concrete encasement. Use gravel for proper drainage. Angle cut end required to be installed 3" above the ground.

WIRING: All fixtures are prewired with a 3-foot pigtail of burial cable.

CORONA Lighting Inc.

WWW.CORONALIGHTING.COM



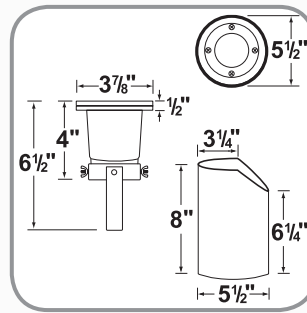
12 VOLT WELL LIGHTS



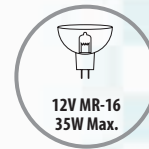
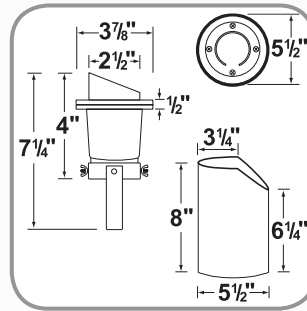
CL-332-SS



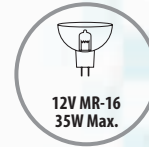
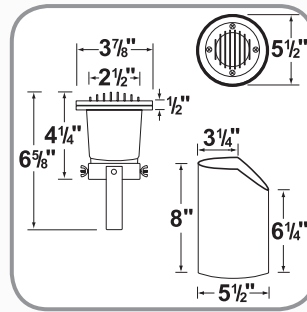
CL-331-SS



CL-332-SS



CL-333-SS



CX-854 DIRECT BURIAL WIRENUT AVAILABLE.

- Fixtures are supplied with 20W MR-16 lamp.
- Remote 12 Volt transformer is required.
- See page 79 to 87 for transformers and accessories.

SPECIFICATIONS

HOUSING: Solid stainless steel fixtures, suspended inside a reversible flat or angled cut PVC sleeve, provides in-ground support. Fixtures are adjustable inside the PVC sleeve for light aiming.

FINISH: SS-Natural Stainless Steel fixtures. PVC sleeve available in black only.

LENS: Clear, tempered, and heat resistant glass with silicone gasket.

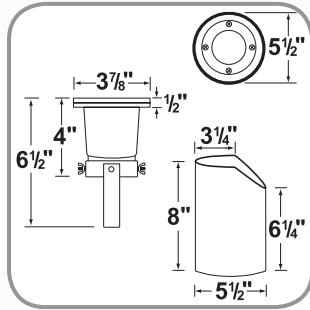
See page 86 for special effect lenses, honeycomb louver and frosted glass lens CX-380-FR.

LAMP TYPE: 12V, MR-16 halogen, 35W max. See page 88 for LED and color MR-16 lamps.

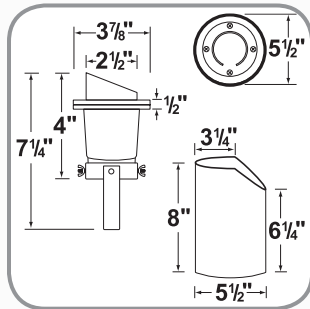
MOUNTING: In-ground direct burial or concrete encasement. Use gravel for proper drainage. Angle cut end required to be installed 3" above the ground.

WIRING: All fixtures are prewired with a 3-foot pigtail of burial cable.

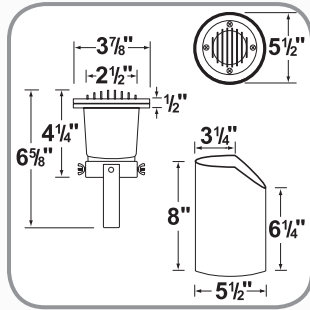




CL-331



CL-332



CL-333



CL-333



- Fixtures are supplied with 20W MR-16 lamp.
- Remote 12 Volt transformer is required.
- See page 79 to 87 for transformers and accessories.
- When ordering, add the 2 letter color code to the end of the product number.

SPECIFICATIONS

HOUSING: Aluminum and injection-molded fiberglass adjustable fixtures, suspended inside a reversible flat or angled cut PVC sleeve.

FINISH: Polyester UV powder coated fixtures and PVC sleeve available in black. When ordering in aluminum and fiberglass add "-BK" and "-NM" to end of product number respectively.

LENS: Clear, tempered, and heat resistant glass with silicone gasket.

See page 86 for special effect lenses, honeycomb louver and frosted glass lens CX-380-FR.

LAMP TYPE: 12V, MR-16 halogen, 50W max. for aluminum and 20W max. for fiberglass fixtures. See page 88 for LED and color MR-16 lamps.

MOUNTING: In-ground direct burial or concrete encasement. Use gravel for proper drainage. Angle cut end required to be installed 3" above the ground.

WIRING: All fixtures are prewired with a 3-foot pigtail of burial cable.



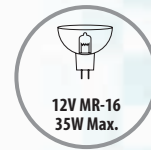
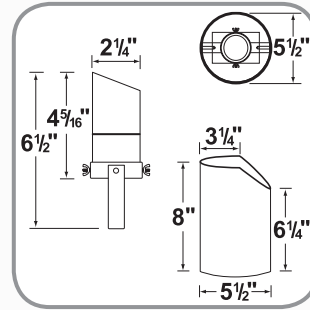
12 VOLT WELL LIGHTS



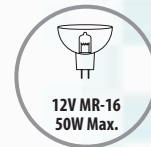
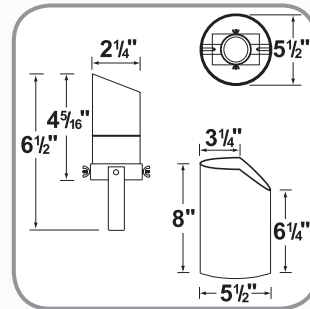
CL-334-BR

LED AVAILABLE
FOR CL-334-BR AND CL-334-SS ONLY

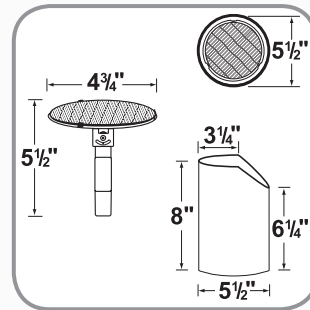
CL-334-SS



CL-334-BR



CL-336



- CL-334 is supplied with 20W MR-16 and CL-336 could be supplied with different kinds of PAR36 lamps.
- Remote 12 Volt transformer is required.
- See page 79 to 87 for transformers and accessories.

SPECIFICATIONS

HOUSING: Solid brass and stainless steel adjustable fixtures and lamp holder for CL-336, all suspended inside a reversible flat or angled cut PVC sleeve, provides in-ground support.

FINISH: BR-Natural Brass and SS-Stainless Steel for CL-334 fixtures. PVC sleeve available in black only.

LENS: Clear, tempered, and heat resistant glass with a silicone gasket for CL-334. See page 86 for special effect lenses and honeycomb louver for CL-334.

LAMP TYPE: 12V, MR-16 halogen, 50W max. for CL-334-BR and 35W max. for CL-334-SS, PAR36, 50W max. for CL-336. See page 88 for MR-16 LED and color lamps.

MOUNTING: In-ground direct burial or concrete encasement. Use gravel for proper drainage. Angle cut end required to be installed 3" above the ground.

WIRING: CL-334 and CL-336 are prewired with a 3 and 5 foot pigtail of burial cable.



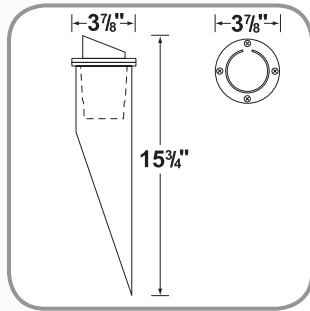
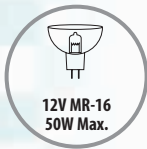
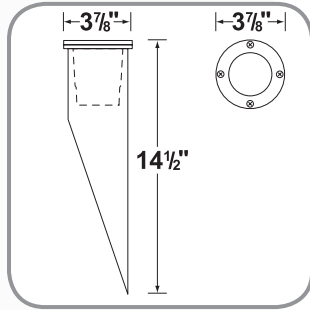
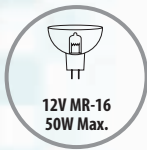
12 VOLT WELL LIGHTS



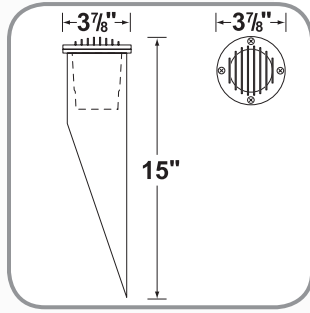
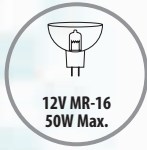
CL-301-BR



CL-301-BR



CL-302-BR



CL-303-BR

30



SPECIFICATIONS

HOUSING: Solid brass fixtures, mounted with tension clips inside a PVC sleeve, provides in-ground fixture support.

FINISH: BR-Natural Brass fixtures. PVC sleeve available in black only.

LENS: Clear, tempered, and heat resistant glass with silicone gasket.

See page 86 for special effect lenses, honeycomb louver and frosted glass lens CX-380-FR.

LAMP TYPE: 12V, MR-16 halogen, 50W max.

See page 88 for LED and color MR-16 lamps.

MOUNTING: In-ground direct burial or concrete encasement.

WIRING: All fixtures are prewired with a 3-foot pigtail of burial cable.

- Fixtures are supplied with 20W MR-16 lamp.
- Remote 12 Volt transformer is required.
- See page 79 to 87 for transformers and accessories.

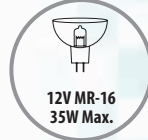
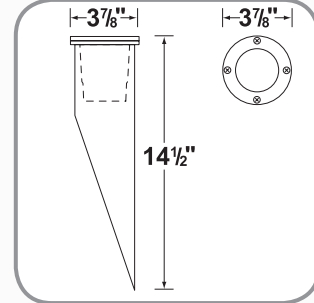
CORONA Lighting Inc.

WWW.CORONALIGHTING.COM

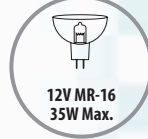
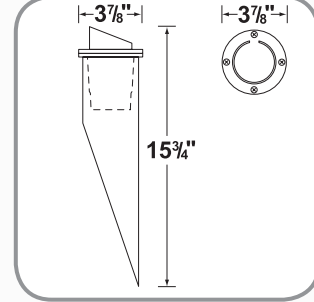
CL-302-SS



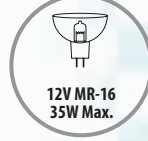
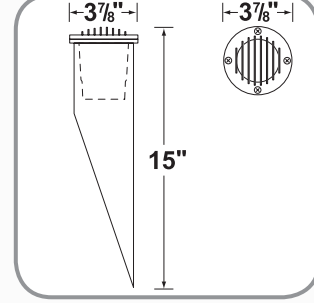
CL-301-SS



CL-302-SS



CL-303-SS



SPECIFICATIONS

HOUSING: Solid stainless steel fixtures, mounted with tension clips inside a PVC sleeve, provides in-ground fixture support.

FINISH: SS-Natural Stainless Steel fixtures. PVC sleeve available in black only.

LENS: Clear, tempered, and heat resistant glass with silicone gasket. See page 86 for special effect lenses, honeycomb louver and frosted glass lens CX-380-FR.

LAMP TYPE: 12V, MR-16 halogen, 35W max.

See page 88 for LED and color MR-16 lamps.

MOUNTING: In-ground direct burial or concrete encasement.

WIRING: All fixtures are prewired with a 3-foot pigtail of burial cable.

- Fixtures are supplied with 20W MR-16 lamp.
- Remote 12 Volt transformer is required.
- See page 79 to 87 for transformers and accessories.



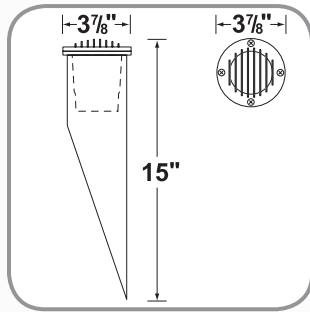
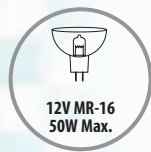
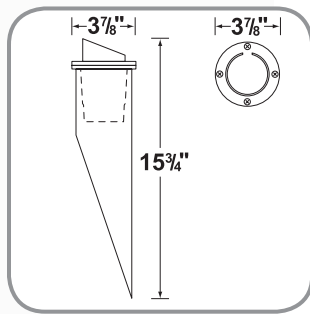
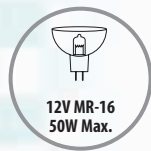
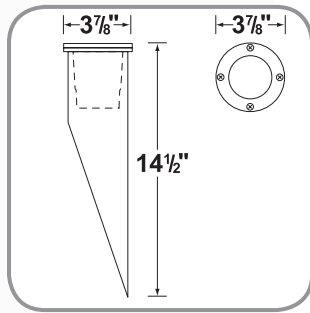
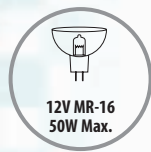
CL-303



CL-301

CL-302

CL-303



- Fixtures are supplied with 20W MR-16 lamp.
- Remote 12 Volt transformer is required.
- See page 79 to 87 for transformers and accessories.
- When ordering, add the 2 letter color code to the end of the product number.

SPECIFICATIONS

HOUSING: Die-Cast aluminum fixtures, mounted with tension clips inside a PVC sleeve, provides in-ground fixture support.

FINISH: Polyester UV powder coated fixtures, available in **BK-Black**, **VG-Verde Green**. PVC sleeve available in black only.

LENS: Clear, tempered, and heat resistant glass with silicone gasket.

See page 86 for special effect lenses, honeycomb louver and frosted glass lens CX-380-FR.

LAMP TYPE: 12V, MR-16 halogen, 50W max.

See page 88 for LED and color MR-16 lamps.

MOUNTING: In-ground direct burial or concrete encasement.

WIRING: All fixtures are prewired with a 3-foot pigtail of burial cable.

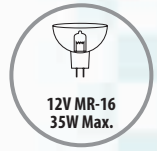
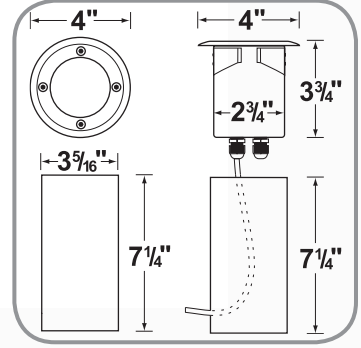
12 VOLT WELL LIGHTS



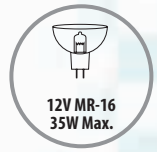
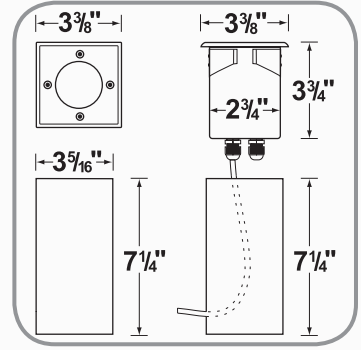
CL-327-SS



CL-327-SS



CL-328-SS



SPECIFICATIONS

HOUSING: Aluminum fixtures, mounted with tension clips inside a PVC sleeve, provides in-ground fixture support.

FINISH: Stainless steel face plate, available in **SS**-Natural Stainless Steel. PVC sleeve in black only.

LENS: Clear, tempered, and heat resistant glass.

LAMP TYPE: 12V, MR-16 halogen, 35W max.

See page 88 for LED and color MR-16 lamps.

MOUNTING: In-ground direct burial or concrete encasement, including in-out compartment for multiple connection of fixtures. Face plates recessed to finish floor.

WIRING: All fixtures are prewired with a 3-foot pigtail of burial cable.

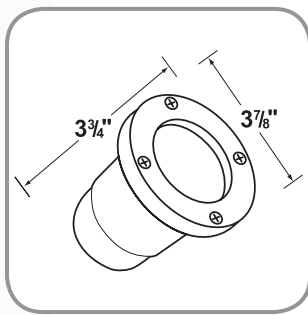
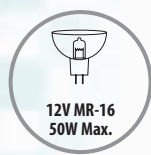


- Fixtures are supplied with 20W MR-16 lamp.
- Remote 12 Volt transformer is required.
- See page 79 to 87 for transformers and accessories.

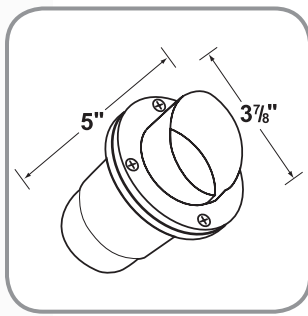
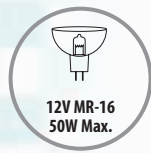
12 VOLT WELL LIGHTS



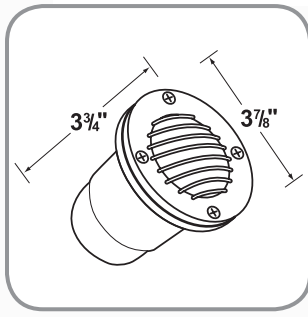
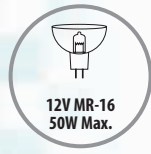
CL-324-BR



CL-324-BR



CL-325-BR



CL-326-BR



SPECIFICATIONS

HOUSING: Solid brass.

FINISH: BR-Natural Brass.

LENS: Clear, tempered, and heat resistant glass with silicone gasket.

See page 86 for special effect lenses. honeycomb louver and frosted glass lens CX-380-FR.

LAMP TYPE: 12V, MR-16 halogen, 50W max.

See page 88 for LED and color MR-16 lamps.

MOUNTING: In-ground direct burial or concrete encasement.

WIRING: All fixtures are prewired with a 3-foot pigtail of burial cable.

- Fixtures are supplied with 20W MR-16 lamp.
- Remote 12 Volt transformer is required.
- See page 79 to 87 for transformers and accessories.



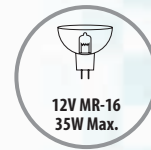
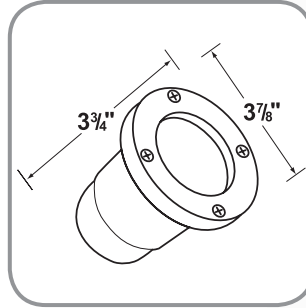
12 VOLT WELL LIGHTS



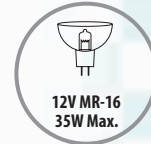
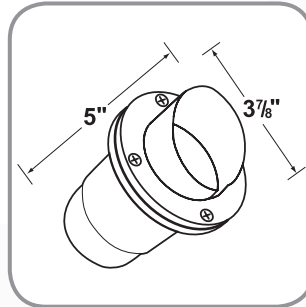
CL-325-SS



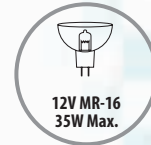
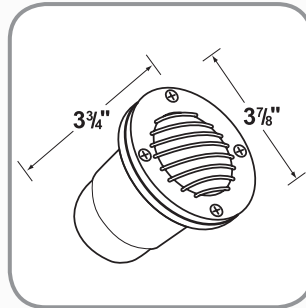
CL-324-SS



CL-325-SS



CL-326-SS



SPECIFICATIONS

HOUSING: Solid stainless steel.

FINISH: SS-Natural Stainless Steel.

LENS: Clear, tempered, and heat resistant glass with silicone gasket.

See page 86 for special effect lenses, honeycomb louver and frosted glass lens CX-380-FR.

LAMP TYPE: 12V, MR-16 halogen, 35W max.

See page 88 for LED and color MR-16 lamps.

MOUNTING: In-ground direct burial or concrete encasement.

WIRING: All fixtures are prewired with a 3-foot pigtail of burial cable.

- Fixtures are supplied with 20W MR-16 lamp.
- Remote 12 Volt transformer is required.
- See page 79 to 87 for transformers and accessories.

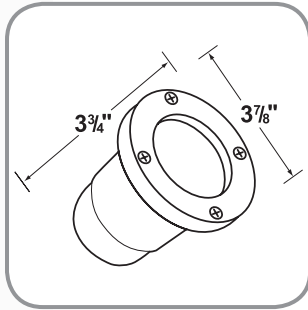


12 VOLT WELL LIGHTS

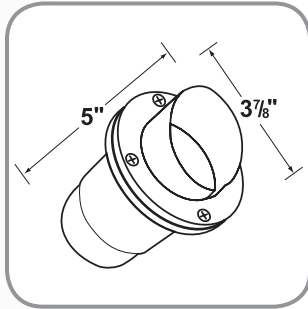
36



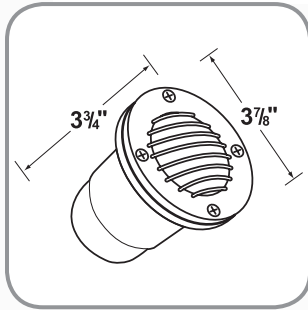
CL-326



CL-324



CL-325



CL-326



- Fixtures are supplied with 20W MR-16 lamp.
- Remote 12 Volt transformer is required.
- See page 79 to 87 for transformers and accessories.

SPECIFICATIONS

HOUSING: Die cast aluminum and injection-molded fiberglass.

FINISH: Polyester UV powder coated available in black. When ordering in aluminum and fiberglass add "-BK" and "-NM" to end of product number respectively.

LENS: Clear, tempered, and heat resistant glass with silicone gasket.

See page 86 for special effect lenses, honeycomb louver and frosted glass lens CX-380-FR.

LAMP TYPE: 12V, MR-16 halogen, 50W max. for aluminum and 20W max. for fiberglass fixtures. See page 88 for LED and color MR-16 lamps.

MOUNTING: In-ground direct burial or concrete encasement.

WIRING: All fixtures are prewired with a 3-foot pigtail of burial cable.

CORONA Lighting Inc.

WWW.CORONALIGHTING.COM

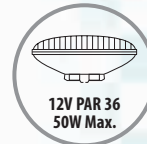
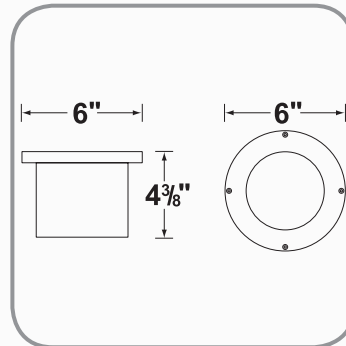


12 VOLT WELL LIGHTS

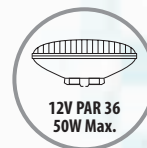
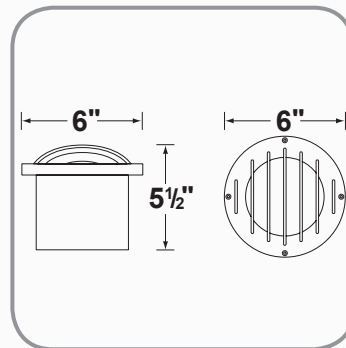


CL-306

CL-305



CL-306

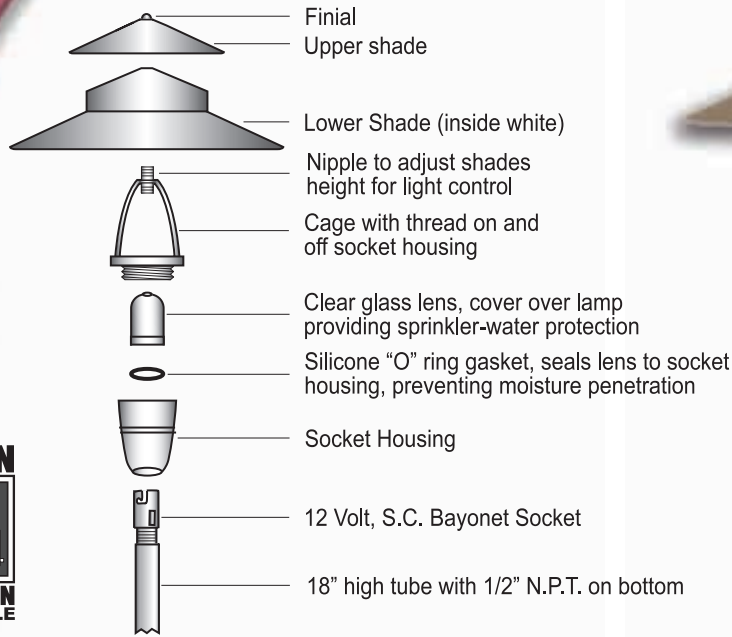


- Fixtures could be supplied with different kinds of PAR36 lamps.
- Remote 12 Volt transformer is required.
- See page 79 to 87 for transformers and accessories.
- When ordering, add the 2 letter color code to the end of the product number.

SPECIFICATIONS

HOUSING: Die cast aluminum and injection-molded fiberglass.
FINISH: Polyester UV powder coated available in **BK**-black, **BZ**-Bronze, **GR**-Green on aluminum and **BK**-Black on fiberglass fixtures. When ordering in fiberglass add "-NM" to end of product number.
LENS: Clear, tempered, and heat resistant glass with silicone gasket. Frosted glass lens available.
LAMP TYPE: 12V, PAR-36, 50W max. See page 88 for color lamps.
MOUNTING: In-ground direct burial or concrete encasement.
WIRING: All fixtures are prewired with a 3-foot pigtail of burial cable.

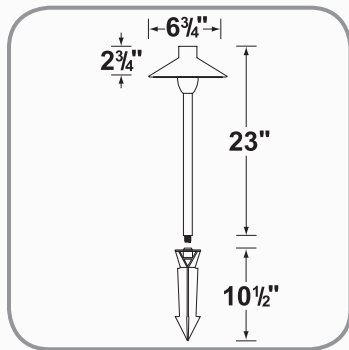
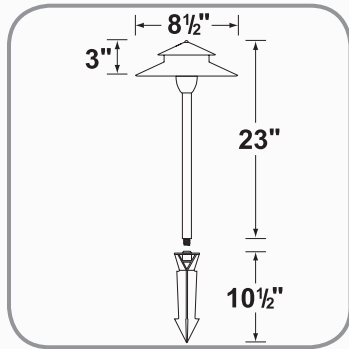
CL-645B-AB MOUNTING DIAGRAM



CL-645B-AB

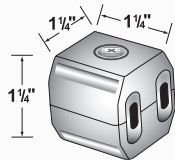


CL-645B-AB



CL-649B-AB

38



CX-839 CORONA UNIVERSAL CONNECTOR AVAILABLE.

SPECIFICATIONS

HOUSING: Cast brass shades, adjustable in height for light control (white inside).

FINISH: Natural toning process, available in **AB**-Antique Bronze.

LENS: Clear glass, cover over lamp providing sprinkler-water protection, including silicone "O" ring gasket seals lens to socket housing to prevent moisture penetration.

LAMP TYPE: 12V, S.C. bayonet, 27W max. Available with T5 wedge socket, 18W max. See page 88 for xenon and halogen lamps with S.C. bayonet base.

MOUNTING: Brass stem with 1/2" NPT, can be stocked with variety of shades, tool free relamping, including ABS ground spike. See page 85 for optional mounting hardware.

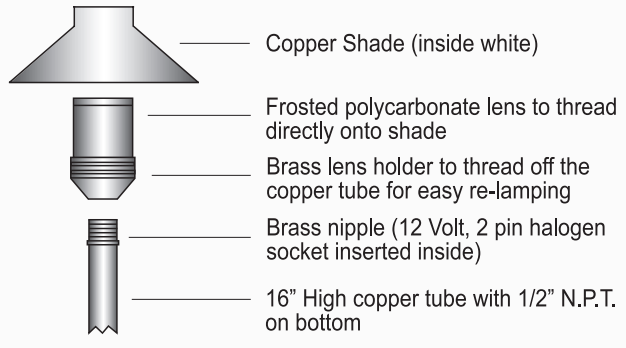
WIRING: All fixtures are prewired with a 3-foot pigtail of burial cable.

- Fixtures are supplied with 18W S.C. bayonet lamp.
- Remote 12 Volt transformer is required.
- See page 79 to 87 for transformers and accessories.

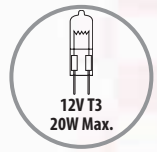
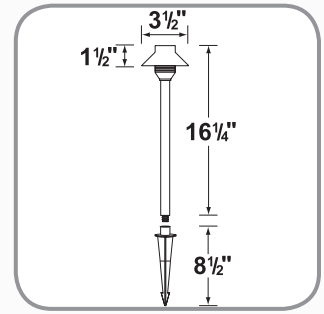


CL-648C-RC

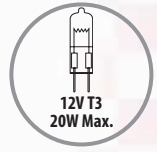
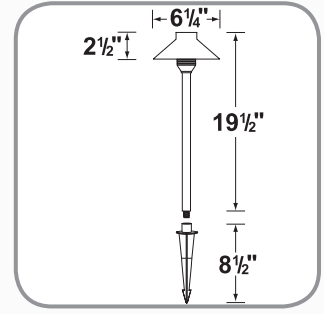
CL-648C-RC MOUNTING DIAGRAM



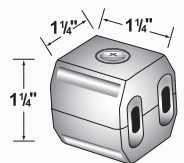
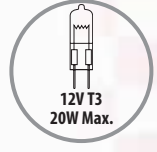
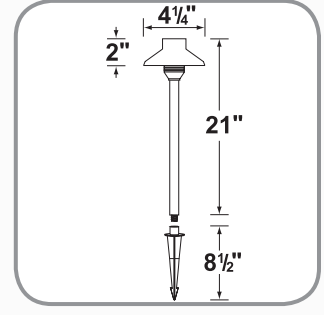
CL-647C-RC



CL-648C-RC



CL-650B-AB



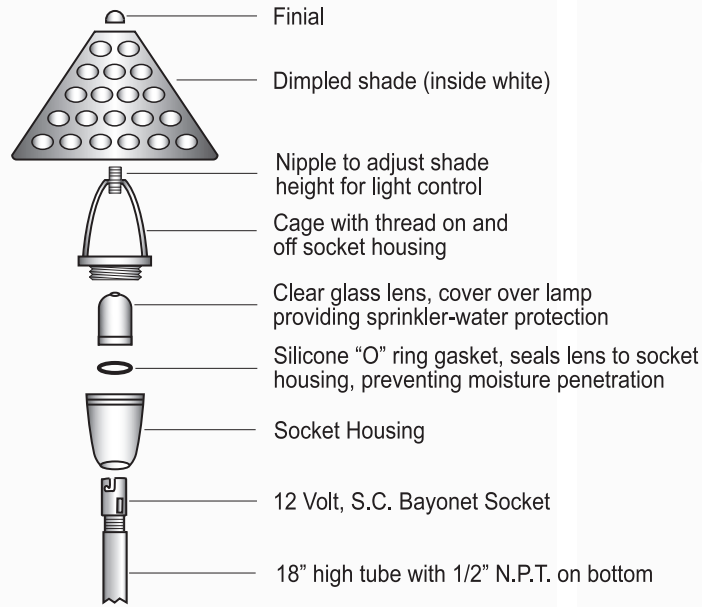
CX-839 CORONA UNIVERSAL CONNECTOR AVAILABLE.

- Fixtures are supplied with 10W T3 halogen lamp.
- Remote 12 Volt transformer is required.
- See page 79 to 87 for transformers and accessories.

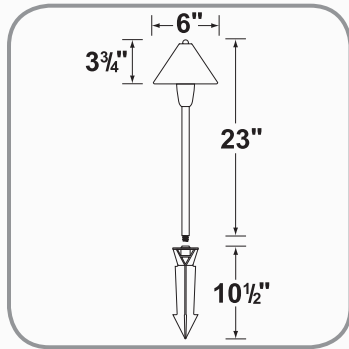
SPECIFICATIONS

HOUSING: Solid copper and brass shades.
FINISH: AB-Antique Bronze for CL-650B-AB, RC-Raw Copper for CL-647C-RC and CL-648C-RC.
LENS: Frosted polycarbonate, cover over lamp providing sprinkler-water protection
LAMP TYPE: 12V, T3 halogen, 20W max. See page 88 for T3 xenon lamps.
MOUNTING: Copper and brass tube with 1/2" NPT, stocked with shade assembly to thread directly onto the bottom of lens holder for tool free relamping, including ABS ground spike. See page 85 for optional mounting hardware.
WIRING: All fixtures are prewired with a 3-foot pigtail of burial cable.

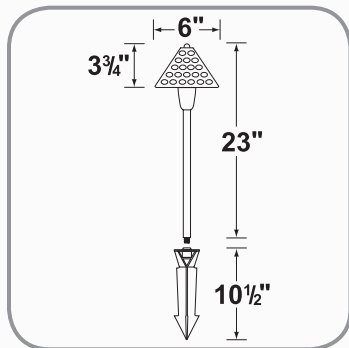
CL-655B MOUNTING DIAGRAM



CL-655B-AB

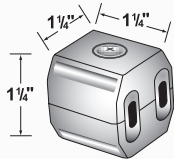


CL-655B-0C



CL-655B-AB

40



CX-839 CORONA UNIVERSAL CONNECTOR AVAILABLE.

- Fixtures are supplied with 18W S.C. bayonet lamp.
- Remote 12 Volt transformer is required.
- See page 79 to 87 for transformers and accessories.
- When ordering, add the 2 letter color code to the end of the product number.

SPECIFICATIONS

HOUSING: Solid brass shade, adjustable in height for light control (white inside).

FINISH: Natural toning process, available in **AB**-Antique Bronze, **OC**-Old Copper.

LENS: Clear glass, cover over lamp providing sprinkler-water protection, including silicone "O" ring gasket seals lens to socket housing to prevent moisture penetration.

LAMP TYPE: 12V, S.C. bayonet, 27W max. Available with T5 wedge socket-18W max. See page 88 for xenon and halogen lamps with S.C. bayonet base.

MOUNTING: Brass stem with 1/2" NPT, can be stocked with variety of shades, tool free relamping, including ABS ground spike. See page 85 for optional mounting hardware.

WIRING: All fixtures are prewired with a 3-foot pigtail of burial cable.

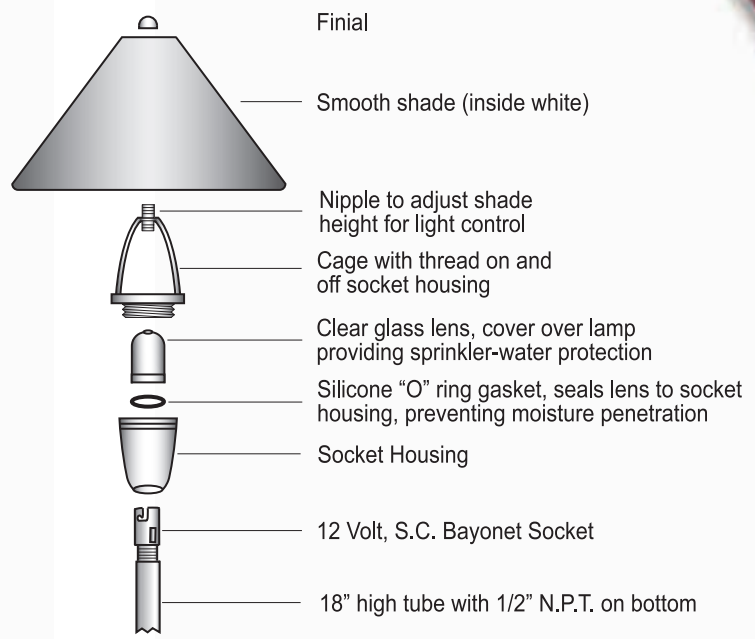


12 VOLT AREA LIGHTS

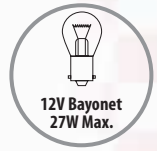
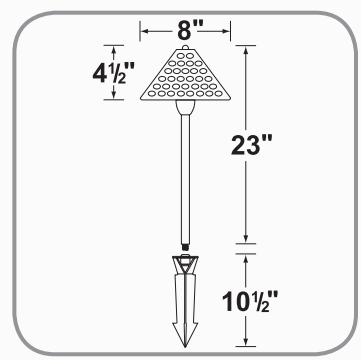


CL-658B-AB

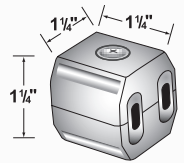
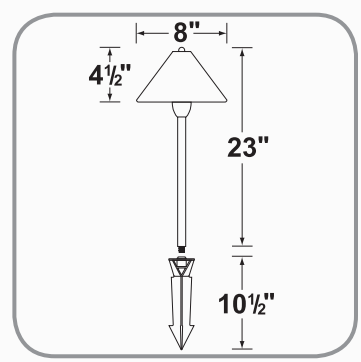
CL-658B MOUNTING DIAGRAM



CL-657B-OC



CL-658B-AB



CX-839 CORONA UNIVERSAL CONNECTOR AVAILABLE.

- Fixtures are supplied with 18W S.C. bayonet lamp.
- Remote 12 Volt transformer is required.
- See page 79 to 87 for transformers and accessories.
- When ordering, add the 2 letter color code to the end of the product number.

SPECIFICATIONS

HOUSING: Solid brass shade, adjustable in height for light control (white inside).

FINISH: Natural toning process, available in **AB**-Antique Bronze, **OC**-Old Copper.

LENS: Clear glass, cover over lamp providing sprinkler-water protection, including silicone "O" ring gasket seals lens to socket housing to prevent moisture penetration.

LAMP TYPE: 12V, S.C. bayonet, 27W max. Available with T5 wedge socket-18W max. See page 88 for xenon and halogen lamps with S.C. bayonet base.

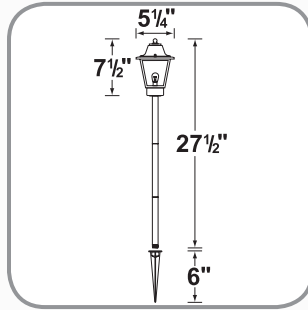
MOUNTING: Brass stem with 1/2" NPT, can be stocked with variety of shades, tool free relamping, including ABS ground spike. See page 85 for optional mounting hardware.

WIRING: All fixtures are prewired with a 3-foot pigtail of burial cable.

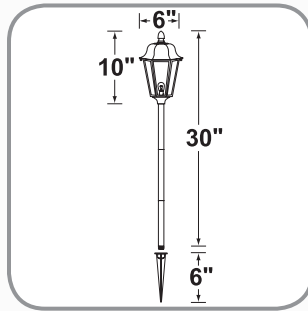
12 VOLT AREA LIGHTS

XENON

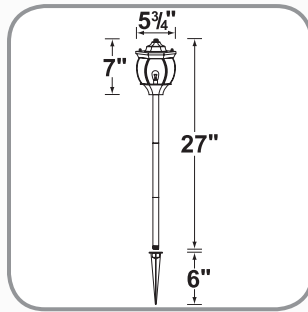
HALOGEN
 AVAILABLE



CL-630



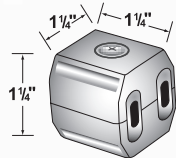
CL-631



CL-632



42



CX-839
CORONA UNIVERSAL
CONNECTOR AVAILABLE.

- Fixtures are supplied with 18W S.C. bayonet lamp.
- Remote 12 Volt transformer is required.
- See page 79 to 87 for transformers and accessories.
- When ordering, add the 2 letter color code to the end of the product number

SPECIFICATIONS

HOUSING: Die-cast aluminum.

FINISH: Polyester UV powder coated, available in **BK-Black**, **VG-Verde Green**.

LENS: Clear, seeded glass (clear beveled glass for CL-632).

LAMP TYPE: 12V, S.C. bayonet, 27W max.

See page 88 for xenon and halogen lamps with S.C. bayonet base.

MOUNTING: Cast aluminum sectional stem with 1/2" NPT on bottom, including ground spike.

See page 85 for optional mounting hardware.

WIRING: All fixtures are prewired with a 3-foot pigtail of burial cable.

CORONA Lighting Inc.

WWW.CORONALIGHTING.COM

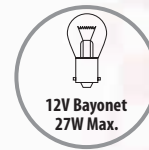
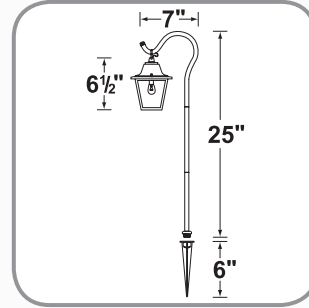


12 VOLT AREA LIGHTS

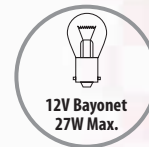
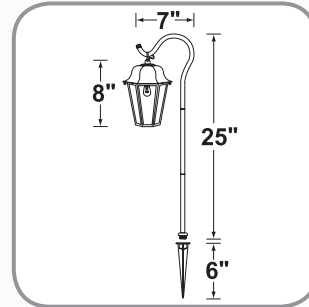
CL-635



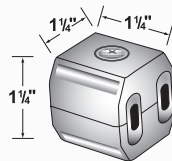
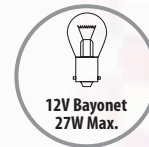
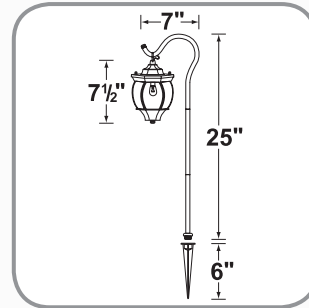
CL-635



CL-636



CL-637



CX-839
CORONA UNIVERSAL
CONNECTOR AVAILABLE.

- Fixtures are supplied with 18W S.C. bayonet lamp.
- Remote 12 Volt transformer is required.
- See page 79 to 87 for transformers and accessories.
- When ordering, add the 2 letter color code to the end of the product number.

SPECIFICATIONS

HOUSING: Die-cast aluminum.

FINISH: Polyester UV powder coated, available in **BK-Black**, **VG-Verde Green**.

LENS: Clear, seeded glass (clear beveled glass for CL-637).

LAMP TYPE: 12V, S.C. bayonet, 27W max.

See page 88 for xenon and halogen lamps with S.C. bayonet base.

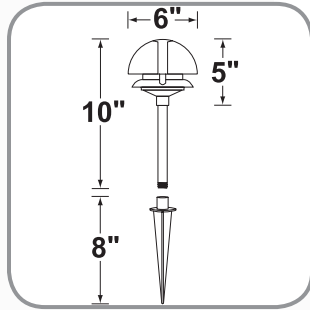
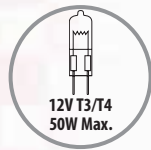
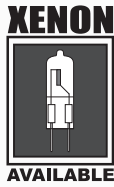
MOUNTING: Cast aluminum sectional stem with 1/2" NPT on bottom, including ground spike.

See page 85 for optional mounting hardware.

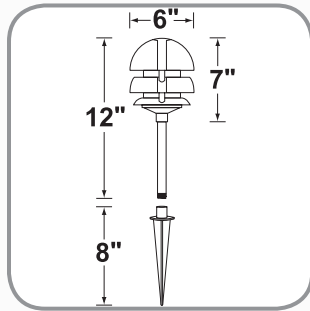
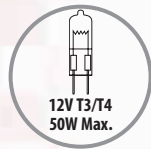
WIRING: All fixtures are prewired with a 3-foot pigtail of burial cable.



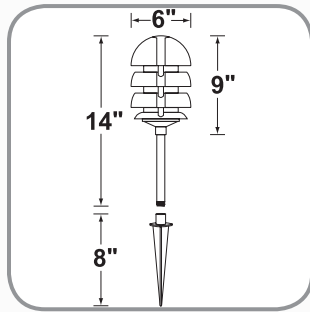
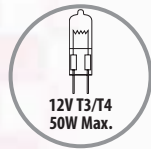
12 VOLT AREA LIGHTS



CL-642



CL-643

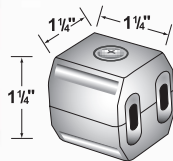


CL-644



CL-643

44



CX-839
CORONA UNIVERSAL
CONNECTOR AVAILABLE.

- Fixtures are supplied with 20W T3 halogen lamp.
- Remote 12 Volt transformer is required.
- See page 79 to 87 for transformers and accessories.
- When ordering, add the 2 letter color code to the end of the product number

SPECIFICATIONS

HOUSING: Interlocking die-cast aluminum sections, assembled with 3 screws.

FINISH: Polyester UV powder coated, available in **BK**-Black, **GR**-Green, **VG**-Verde Green.

LENS: Frosted tempered glass with silicone gasket. Clear glass lens available.

LAMP TYPE: 12V, T3/T4 halogen, 50W max. See page 88 for T3 xenon lamps.

MOUNTING: 6" cast aluminum stem with 1/2" NPT on bottom, including ground spike.

See page 85-86 for optional mounting hardware. When ordering with 3" post top or pier mount base, add **-PT** or **-PM** to end of product number respectively.

WIRING: All fixtures are prewired with a 3-foot pigtail of burial cable.

CORONA Lighting Inc.

WWW.CORONALIGHTING.COM

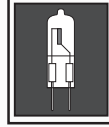


12 VOLT AREA LIGHTS



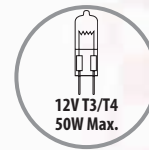
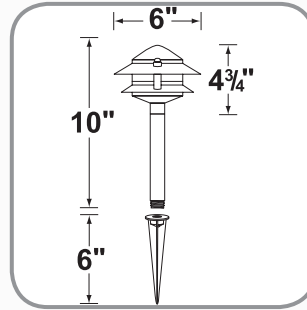
CL-603

XENON

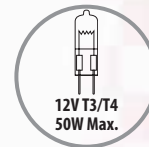
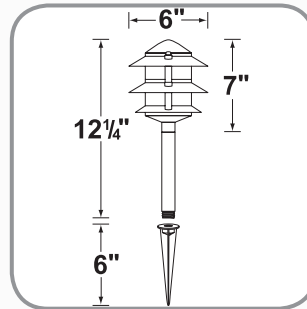


AVAILABLE

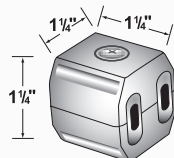
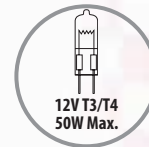
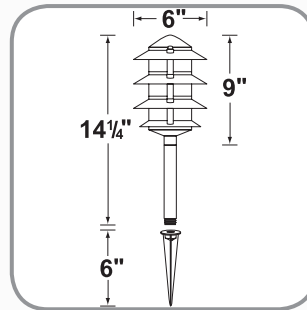
CL-602



CL-603



CL-604



CX-839
CORONA UNIVERSAL
CONNECTOR AVAILABLE.

- Fixtures are supplied with 20W T3 halogen lamp.
- Remote 12 Volt transformer is required.
- See page 79 to 87 for transformers and accessories.
- When ordering, add the 2 letter color code to the end of the product number.

SPECIFICATIONS

HOUSING: Interlocking die-cast aluminum sections, assembled with 3 screws.

FINISH: Polyester UV powder coated, available in **BK-Black**, **GR-Green**, **VG-Verde Green**.

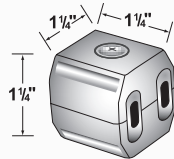
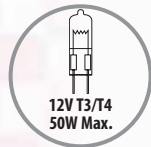
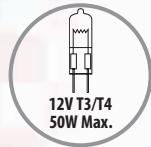
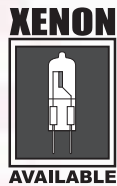
LENS: Frosted tempered glass with silicone gasket. Clear glass lens available.

LAMP TYPE: 12V, T3/T4 halogen, 50W max. See page 88 for T3 xenon lamps.

MOUNTING: 6" cast aluminum stem with 1/2" NPT on bottom, including ground spike. See page 85-86 for optional mounting hardware. When ordering with 3" post top or pier mount base, add **"-PT"** or **"-PM"** to end of product number respectively.

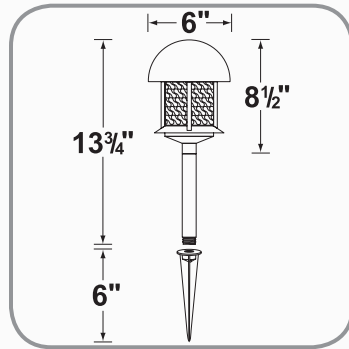
WIRING: All fixtures are prewired with a 3-foot pigtail of burial cable.



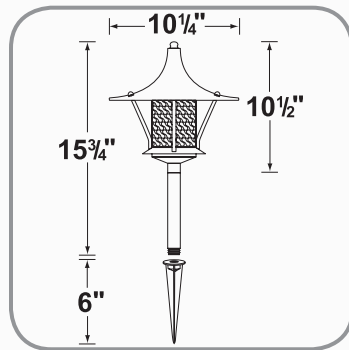


CX-839
CORONA UNIVERSAL
CONNECTOR AVAILABLE.

- Fixtures are supplied with 20W T3 halogen lamp.
- Remote 12 Volt transformer is required.
- See page 79 to 87 for transformers and accessories.
- When ordering, add the 2 letter color code to the end of the product number.



CL-614



CL-615



CL-615

SPECIFICATIONS

HOUSING: Die-cast aluminum with decorative steel mesh.

FINISH: Polyester UV powder coated, available in **BK**-Black, **GR**-Green.

LENS: Frosted tempered glass with silicone gasket. Clear glass lens available.

LAMP TYPE: 12V, T3/T4 halogen, 50W max. See page 88 for T3 xenon lamps.

MOUNTING: 6" cast aluminum stem with 1/2" NPT on bottom, including ground spike. See page 85 for optional mounting hardware.

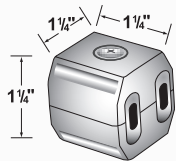
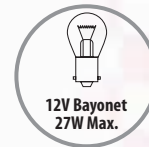
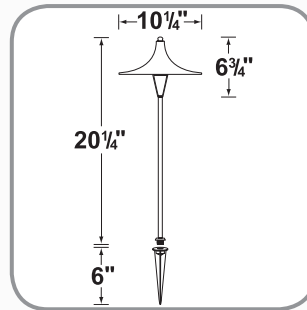
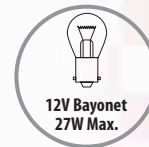
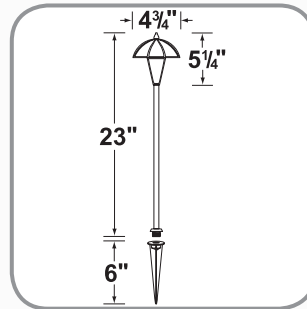
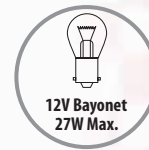
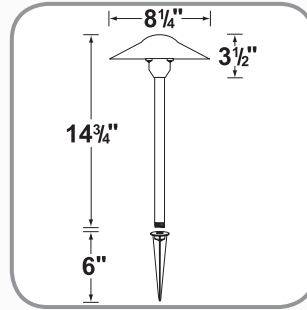
WIRING: All fixtures are prewired with a 3-foot pigtail of burial cable.



12 VOLT AREA LIGHTS



CL-616



CX-839 CORONA UNIVERSAL CONNECTOR AVAILABLE.

- Fixtures are supplied with 18W S.C. bayonet lamp.
- Remote 12 Volt transformer is required.
- See page 79 to 87 for transformers and accessories.
- When ordering, add the 2 letter color code to the end of the product number.

SPECIFICATIONS

HOUSING: Die-cast aluminum.

FINISH: Polyester UV powder coated, available in **BK**-Black, **GR**-Green, **VG**-Verde Green (**BZ**-Bronze and **RT**-Rust available on CL-616 only).

LAMP TYPE: 12V, S.C. bayonet, 27W max.

See page 88 for xenon and halogen lamps with S.C. bayonet base.

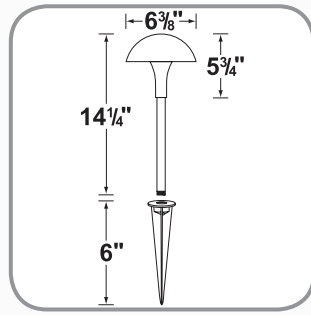
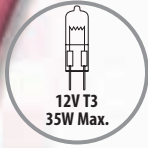
MOUNTING: Cast aluminum stem with 1/2" NPT on bottom, including ground spike.

See page 85 for optional mounting hardware.

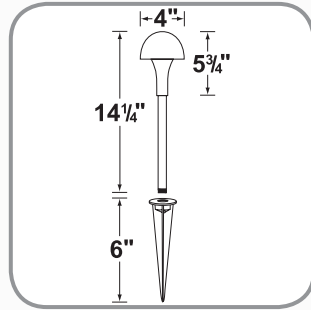
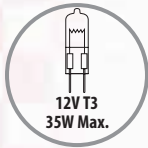
WIRING: All fixtures are prewired with a 3-foot pigtail of burial cable.



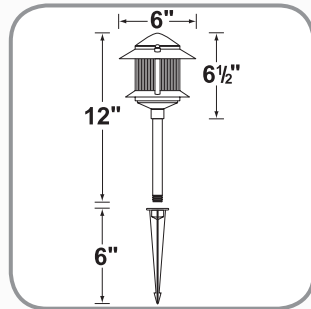
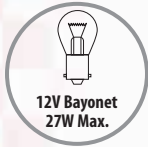
12 VOLT AREA LIGHTS



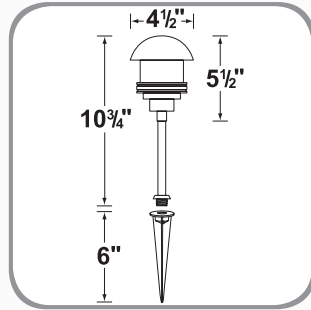
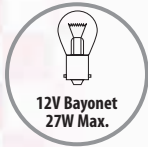
CL-624



CL-625

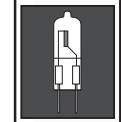


CL-605



CL-626

XENON



AVAILABLE FOR CL-624 AND CL-625 ONLY

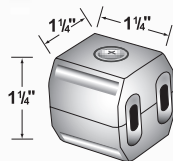
XENON



HALOGEN AVAILABLE FOR CL-605 AND CL-626 ONLY



CL-624



CX-839 CORONA UNIVERSAL CONNECTOR AVAILABLE.

- CL-624, CL-625 are supplied with 20W T3 halogen and CL-605, CL-626 with 18W S.C. bayonet lamps
- Remote transformer is required.
- See page 79 to 87 for transformers and accessories.
- When ordering, add the 2 letter color code to the end of the product number.

SPECIFICATIONS

HOUSING: Die-cast aluminum. Turn-to-lock mushroom head for CL-624 and CL-625.

FINISH: Polyester UV powder coated, available in **BK**-Black, **VG**-Verde Green (**BZ**-Bronze available on CL-624, CL-625 and CL-626).

LENS: Clear, tempered, and heat resistant glass for CL-624 and CL-625. Clear ribbed high impact polycarbonate for CL-605, frosted polycarbonate for CL-626.

LAMP TYPE: 12V, T3 halogen, 35W max. for CL-624 and CL-625, S.C. bayonet, 27W max. for CL-605 and CL-626. See page 88 for T3 xenon, SC xenon and T3/SC halogen lamps.

MOUNTING: Aluminum stem with 1/2" NPT on bottom, including ground spike. See page 85 for optional mounting hardware.

WIRING: All fixtures are prewired with a 3-foot pigtail of burial cable.

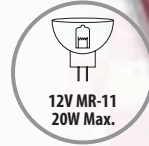
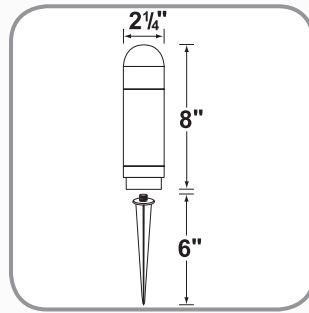


12 VOLT AREA LIGHTS

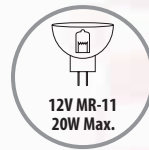
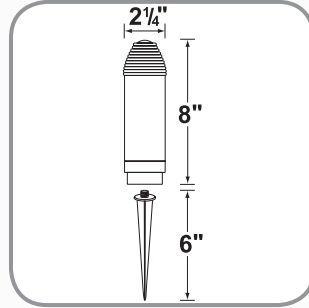
CL-628



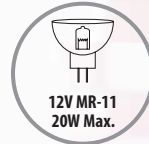
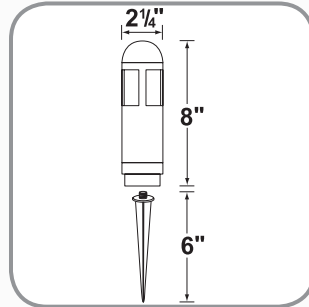
CL-620



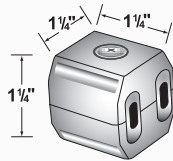
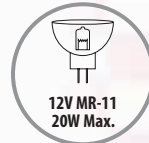
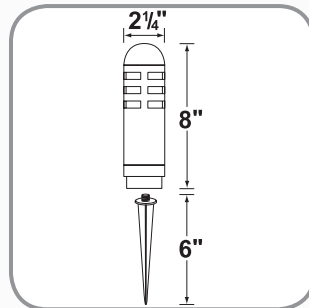
CL-622



CL-627



CL-628



CX-839 CORONA UNIVERSAL CONNECTOR AVAILABLE.

- Fixtures are supplied with 20W MR-11 lamp.
- Remote 12 Volt transformer is required.
- See page 79 to 87 for transformers and accessories.
- When ordering, add the 2 letter color code to the end of the product number.

SPECIFICATIONS

HOUSING: Die-cast aluminum.

FINISH: Polyester UV powder coated, available in **BK-Black**, **BZ-Bronze**.

LENS: Clear tempered glass for CL-620 and CL-622, white polycarbonate for CL-627 and CL-628.

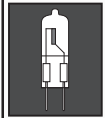
LAMP TYPE: 12V, MR-11 halogen, 20W max.

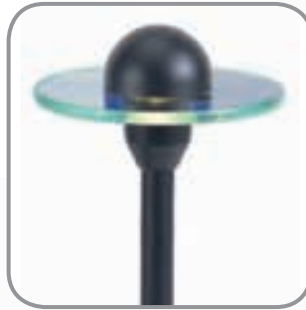
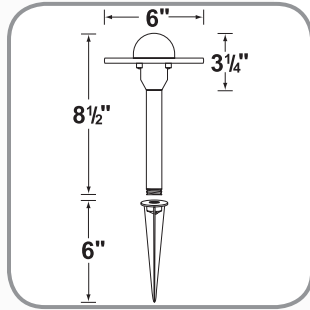
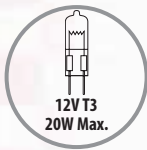
MOUNTING: 1/2" NPT on bottom with ground spike.

See page 85 for optional mounting hardware.

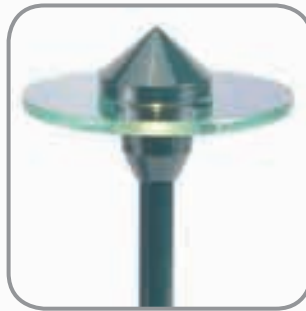
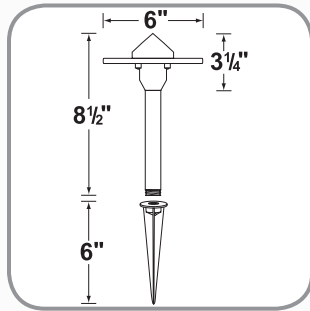
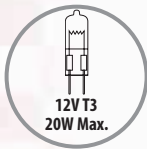
WIRING: All fixtures are prewired with a 3-foot pigtail of burial cable.

12 VOLT AREA LIGHTS

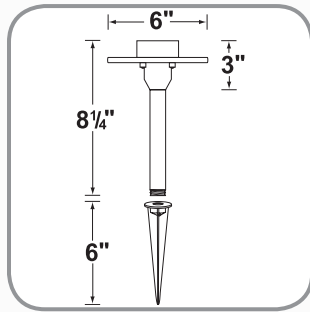
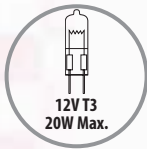
XENON

AVAILABLE



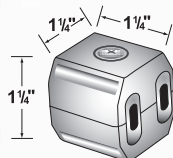
CL-607



CL-608



CL-609



CX-839
CORONA UNIVERSAL
CONNECTOR AVAILABLE.

- Fixtures are supplied with 20W T3 halogen lamp.
- Remote 12 Volt transformer is required.
- See page 79 to 87 for transformers and accessories.
- When ordering, add the 2 letter color code to the end of the product number

SPECIFICATIONS

HOUSING: Die-cast aluminum. Easy lamp replacement.

FINISH: Polyester UV powder coated, available in **BK-Black**, **GR-Green**.

LENS: Clear tempered glass disc.

LAMP TYPE: 12V, T3 halogen, 20W max. See page 88 for T3 xenon lamps.

MOUNTING: Cast aluminum stem with 1/2" NPT on bottom, including ground spike.

See page 85 for optional mounting hardware.

WIRING: All fixtures are prewired with a 3-foot pigtail of burial cable.

CORONA Lighting Inc.

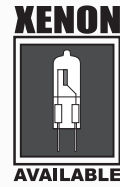
WWW.CORONALIGHTING.COM



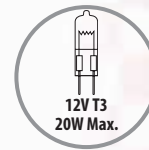
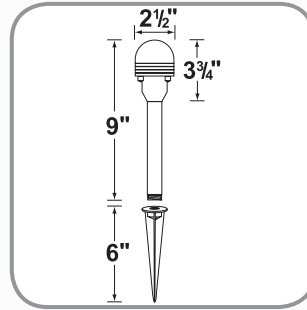
12 VOLT AREA LIGHTS



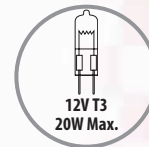
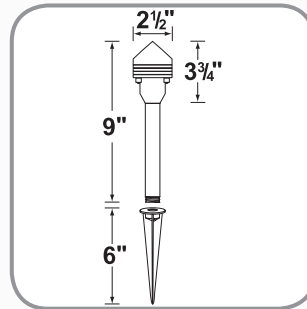
CL-611



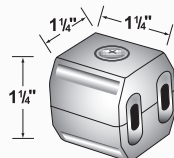
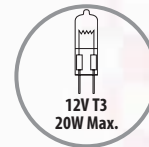
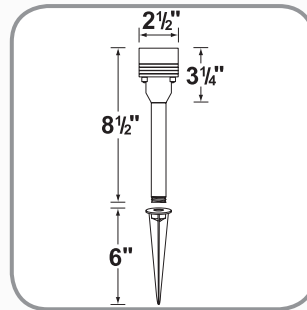
CL-610



CL-611



CL-612



CX-839
CORONA UNIVERSAL
CONNECTOR AVAILABLE.

- Fixtures are supplied with 20W T3 halogen lamp.
- Remote 12 Volt transformer is required.
- See page 79 to 87 for transformers and accessories.
- When ordering, add the 2 letter color code to the end of the product number.

SPECIFICATIONS

HOUSING: Die-cast aluminum. Easy lamp replacement.

FINISH: Polyester UV powder coated, available in **BK-Black**, **GR-Green**.

LENS: Clear tempered glass discs.

LAMP TYPE: 12V,T3 halogen, 20W max. See page 88 for T3 xenon lamps.

MOUNTING: Cast aluminum stem with 1/2" NPT on bottom, including ground spike. See page 85 for optional mounting hardware.

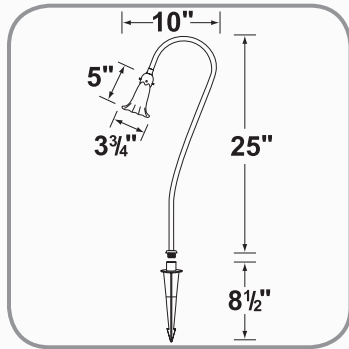
WIRING: All fixtures are prewired with a 3-foot pigtail of burial cable.



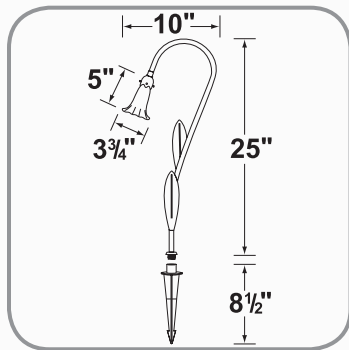
12 VOLT PATH LIGHTS

XENON

HALOGEN
 AVAILABLE



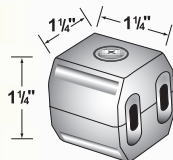
CL-724B-0C



CL-725B-AB



CL-725B-AB



CX-839
 CORONA UNIVERSAL
 CONNECTOR AVAILABLE.

- Fixtures are supplied with 18W S.C. bayonet lamp.
- Remote 12 Volt transformer is required.
- See page 79 to 87 for transformers and accessories.
- When ordering, add the 2 letter code to the end of the product number.

SPECIFICATIONS

HOUSING: Solid brass decorative lens holder and tubing stem.

FINISH: Natural toning process, available in **AB**-Antique Bronze, **OC**-Old Copper. Finishes will vary due to artistic natural process.

LENS: Glass tulip, available in **AG**-Amber Green, **WH**-White.

When ordering, add the 2 letter color code of glass tulip to end of product number.

LAMP TYPE: 12V, S.C. bayonet, 27W max.

See page 88 for xenon and halogen lamps with S.C. bayonet base.

MOUNTING: 1/2" NPT on bottom, including ABS ground spike.

See page 85 for optional mounting hardware.

WIRING: All fixtures are prewired with a 3-foot pigtail of burial cable.

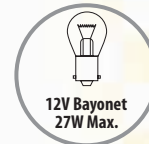
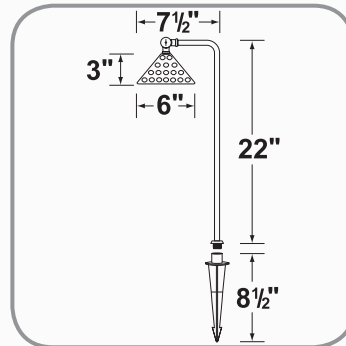


12 VOLT PATH LIGHTS

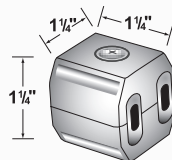
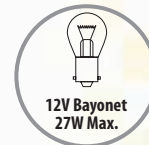
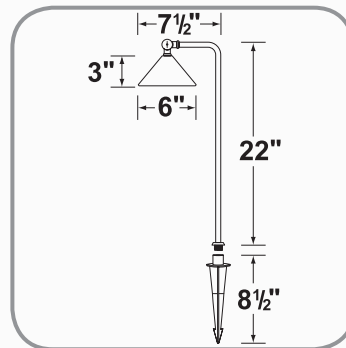
CL-713B-AB



CL-712B-OC



CL-713B-AB



CX-839 CORONA UNIVERSAL CONNECTOR AVAILABLE.

SPECIFICATIONS

HOUSING: Solid brass shade and tubing stem with adjustable brass knuckle, allowing light to shine to desired area (white inside the shade).

FINISH: Natural toning process, available in **AB**-Antique Bronze, **OC**-Old Copper. Finishes will vary due to artistic natural process.

LAMP TYPE: 12V, S.C. bayonet, 27W max.

See page 88 for xenon and halogen lamps with S.C. bayonet base.

MOUNTING: 1/2" NPT on bottom, including ABS ground spike.

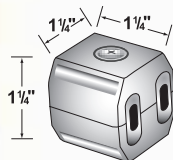
See page 85 for optional mounting hardware.

WIRING: All fixtures are prewired with a 3-foot pigtail of direct burial cable.

- Fixtures are supplied with 18W S.C. bayonet lamp.
- Remote 12 Volt transformer is required.
- See page 79 to 87 for transformers and accessories.
- When ordering, add the 2 letter color code to the end of the product number.

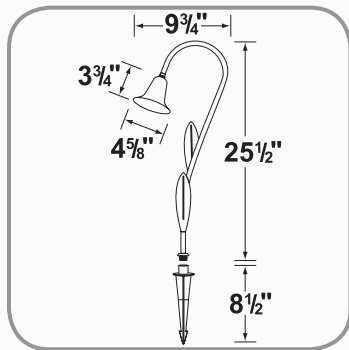
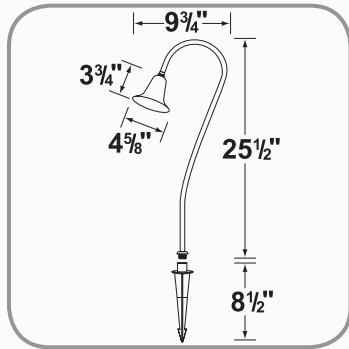


12 VOLT PATH LIGHTS



CX-839
CORONA UNIVERSAL
CONNECTOR AVAILABLE.

- Fixtures are supplied with 18W S.C. bayonet lamp.
- Remote 12 Volt transformer is required.
- See page 79 to 87 for transformers and accessories.
- When ordering, add the 2 letter color code to the end of the product number.



CL-715B-BR



CL-715B-AB



CL-716B-OC



CL-716B-BR

SPECIFICATIONS

HOUSING: Solid brass bell head and tubing stem (white inside the bell head).

FINISH: Natural toning process, available in **AB**-Antique Bronze, **OC**-Old Copper and **BR**-Natural Brass.

Antique Bronze and Old Copper finishes will vary due to artistic natural process.

LAMP TYPE: 12V, S.C. bayonet, 27W max.

See page 88 for xenon and halogen lamps with S.C. bayonet base.

MOUNTING: 1/2" NPT on bottom, including ABS ground spike.

See page 85 for optional mounting hardware.

WIRING: All fixtures are prewired with a 3-foot pigtail of direct burial cable.

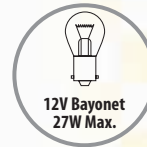
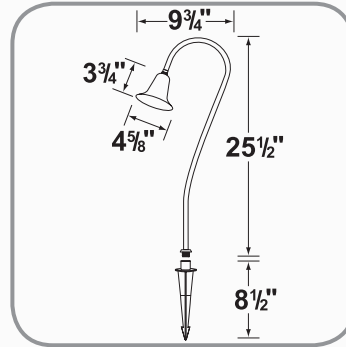


12 VOLT PATH LIGHTS

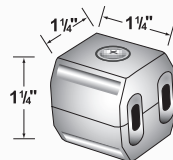
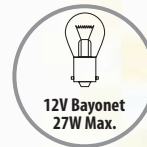
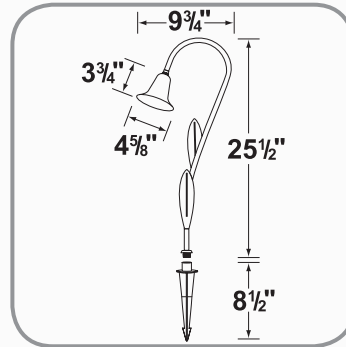
CL-716C-RC



CL-715C-RC



CL-716C-RC



CX-839 CORONA UNIVERSAL CONNECTOR AVAILABLE.

- Fixtures are supplied with 18W S.C. bayonet lamp.
- Remote 12 Volt transformer is required.
- See page 79 to 87 for transformers and accessories.
- When ordering, add the 2 letter color code to the end of the product number.

SPECIFICATIONS

HOUSING: Solid copper bell head and tubing stem (white inside the bell head).

FINISH: RC- Raw Copper. Will age gradually.

LAMP TYPE: 12V, S.C. bayonet, 27W max.

See page 88 for xenon and halogen lamps with S.C. bayonet base.

MOUNTING: 1/2" NPT on bottom, including ABS ground spike.

See page 85 for optional mounting hardware.

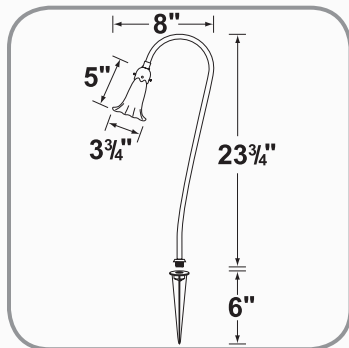
WIRING: All fixtures are prewired with a 3-foot pigtail of burial cable.



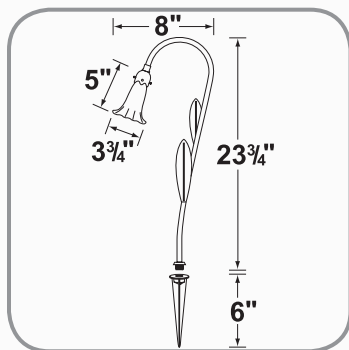
12 VOLT PATH LIGHTS

XENON

HALOGEN
 AVAILABLE



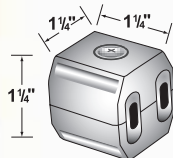
CL-704



CL-705



CL-705



CX-839
 CORONA UNIVERSAL
 CONNECTOR AVAILABLE.

- Fixtures are supplied with 18W S.C. bayonet lamp.
- Remote 12 Volt transformer is required.
- See page 79 to 87 for transformers and accessories.
- When ordering, add the 2 letter color code to the end of the product number.

SPECIFICATIONS

HOUSING: Brass lens holder, steel stem and decorative leaves for CL-705.

FINISH: Polyester UV powder coated, available in **BK**-Black, **GR**-Green, **VG**-Verde Green.

LENS: Glass tulip, available in **AG**-Amber Green, **WH**-White. When ordering, add the 2 letter color code of glass tulip to the end of the product number.

LAMP TYPE: 12 Volt, single contact bayonet- 27W max.

See page 88 for xenon and halogen lamps with S.C. bayonet base.

MOUNTING: 1/2" NPT on bottom, including ground spike.

See page 85 for optional mounting hardware.

WIRING: All fixtures are prewired with a 3-foot pigtail of burial cable.



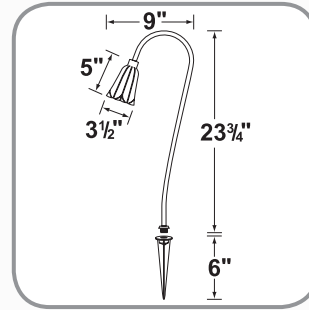
12 VOLT PATH LIGHTS



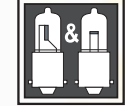
CL-702



CL-701



XENON

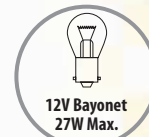
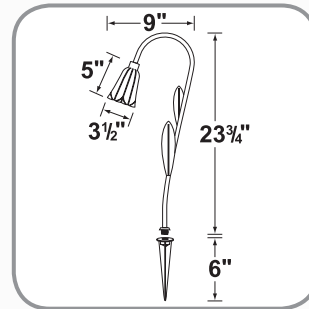


HALOGEN AVAILABLE

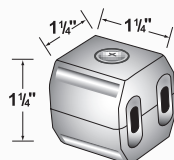
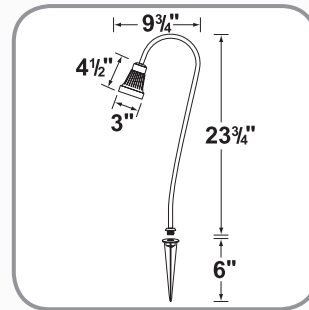
FOR CL-701 AND CL-702 ONLY



CL-702



CL-707



CX-839 CORONA UNIVERSAL CONNECTOR AVAILABLE.

- CL-701 and CL-702 are supplied with 18W S.C. bayonet and CL-707 with 20W MR-16 lamps.
- Remote 12 Volt transformer is required.
- See page 79 to 87 for transformers and accessories.
- When ordering, add the 2 letter color code to the end of the product number.

SPECIFICATIONS

HOUSING: Die-cast aluminum, steel stem and decorative leaves for CL-702.

FINISH: Polyester UV powder coated, available in **BK-Black**, **GR-Green**, **VG-Verde Green**.

LAMP TYPE: 12V, S.C. bayonet, 27W max. for CL-701 and CL-702, MR-16 halogen, 50W max. for CL-707. See page 88 for SC xenon, T3/SC halogen for CL-701, CL-702 and LED, color MR-16 for CL-707.

MOUNTING: 1/2" NPT on bottom, including ground spike.

See page 85 for optional mounting hardware.

WIRING: All fixtures are prewired with a 3-foot pigtail of burial cable.

CORONA Lighting Inc.

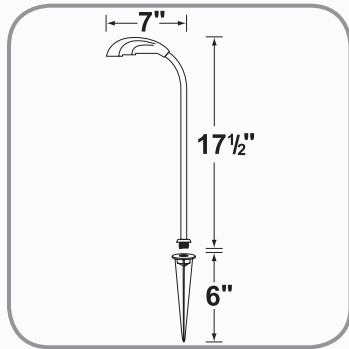
WWW.CORONALIGHTING.COM



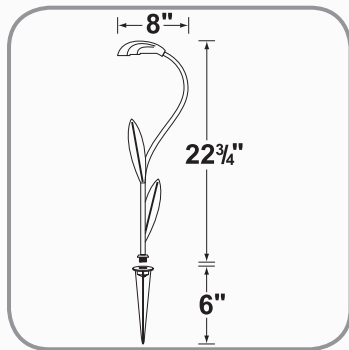
12 VOLT PATH LIGHTS

XENON

HALOGEN
 AVAILABLE



CL-710

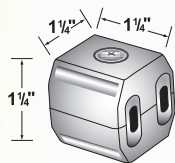


CL-711



CL-711

58



CX-839
 CORONA UNIVERSAL
 CONNECTOR AVAILABLE.

- Fixtures are supplied with 18W S.C. bayonet lamp.
- Remote 12 Volt transformer is required.
- See page 79 to 87 for transformers and accessories.
- When ordering, add the 2 letter color code to the end of the product number.

SPECIFICATIONS

HOUSING: Die-cast aluminum.
FINISH: Polyester UV powder coated, available in **BK-Black**, **VG-Verde Green**.
LAMP TYPE: 12V, S.C. bayonet, 27W max. See page 88 for xenon and halogen lamps with S.C. bayonet base.
MOUNTING: 1/2" NPT on bottom, including ground spike. See page 85 for optional mounting hardware.
WIRING: All fixtures are prewired with a 3-foot pigtail of burial cable.

CORONA Lighting Inc.

WWW.CORONALIGHTING.COM

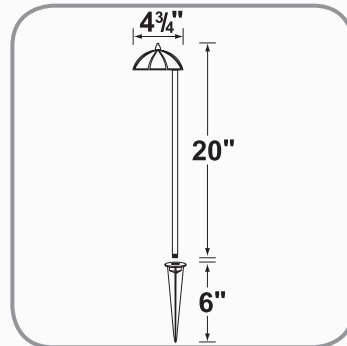


12 VOLT PATH LIGHTS

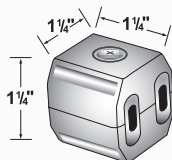
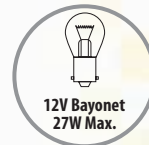
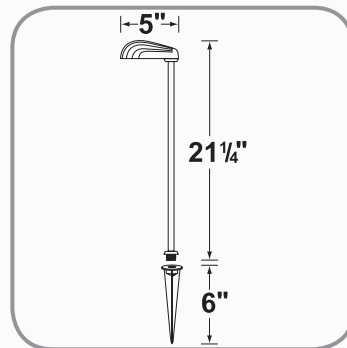
CL-708



CL-708



CL-709



CX-839
CORONA UNIVERSAL
CONNECTOR AVAILABLE.

SPECIFICATIONS

HOUSING: Die-cast aluminum.

FINISH: Polyester UV powder coated, available in **BK-Black**, **VG-Verde Green** (**GR-Green** available on CL-708).

LAMP TYPE: 12V, S.C. bayonet, 27W max.

See page 88 for xenon and halogen lamps with S.C. bayonet base.

MOUNTING: 1/2" NPT on bottom, including ground spike.

See page 85 for optional mounting hardware.

WIRING: All fixtures are prewired with a 3-foot pigtail of burial cable.

- Fixtures are supplied with 18W S.C. bayonet lamp.
- Remote 12 Volt transformer is required.
- See page 79 to 87 for transformers and accessories.
- When ordering, add the 2 letter color code to the end of the product number.

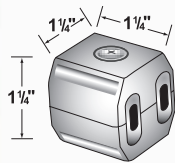
59

CORONA Lighting Inc.

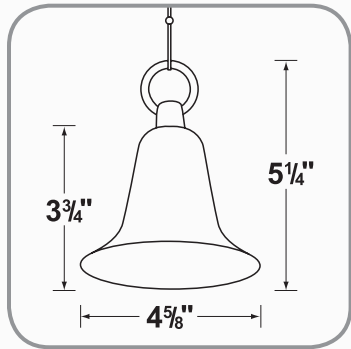
WWW.CORONALIGHTING.COM



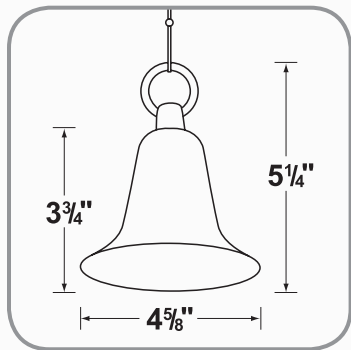
12 VOLT HANGING LIGHTS



CX-839
CORONA UNIVERSAL
CONNECTOR AVAILABLE.



CL-384B-BR



CL-384C-RC



CL-384C-RC

SPECIFICATIONS

HOUSING: Solid copper and brass.

FINISH: RC-Raw Copper, BR-Natural Brass. Will age gradually.

LAMP TYPE: 12V, S.C. bayonet, 27W max.

See page 88 for xenon and halogen lamps with S.C. bayonet base.

MOUNTING: Brass loop with 5-foot adjustable stainless steel hanging cable.

WIRING: Fixtures are prewired with a 5-foot pigtail of cable.

- Fixtures are supplied with 18W S.C. bayonet lamp.
- Remote 12 Volt transformer is required.
- See page 79 to 87 for transformers and accessories.

CORONA Lighting Inc.

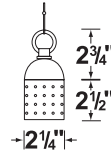
WWW.CORONALIGHTING.COM

12 VOLT HANGING LIGHTS

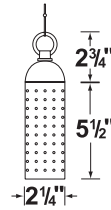
CL-391



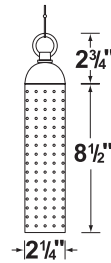
CL-385



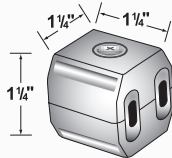
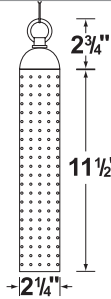
CL-387



CL-389



CL-391



CX-839
CORONA UNIVERSAL
CONNECTOR AVAILABLE.

- Fixtures are supplied with 20W MR-11 lamp.
- Remote 12 Volt transformer is required.
- See page 79 to 87 for transformers and accessories.
- When ordering, add the 2 letter color code to the end of the product number.

SPECIFICATIONS

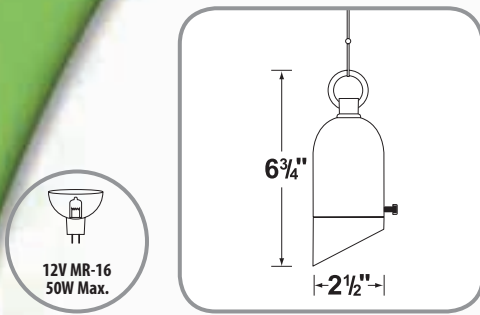
HOUSING: Die-cast aluminum.

FINISH: Polyester UV powder coated, available in **BK**-Black, (**GR**-Green available on CL-387).

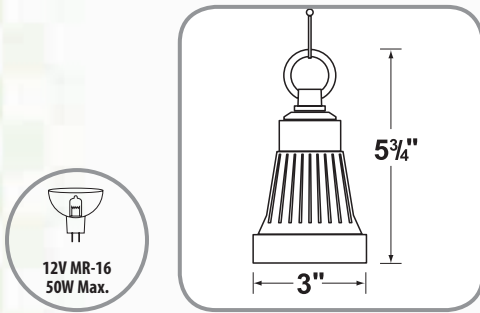
LAMP TYPE: 12V, MR-11 halogen with clear front glass lens, 35W max.

MOUNTING: Cast aluminum loop with 5-foot stainless steel hanging cable.

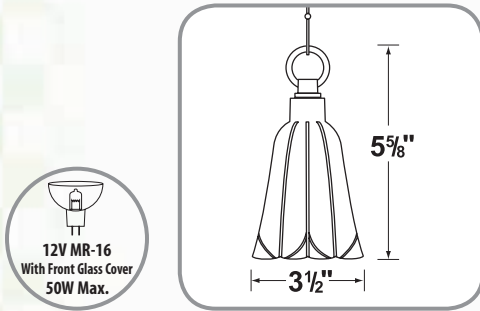
WIRING: All fixtures are prewired with a 5-foot pigtail of cable.



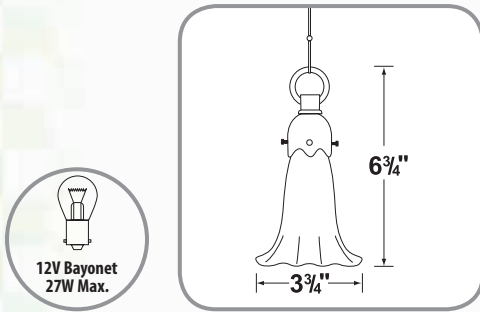
CL-379



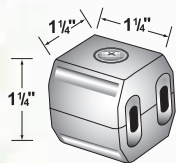
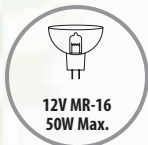
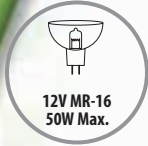
CL-380



CL-381



CL-382



CX-839
CORONA UNIVERSAL
CONNECTOR AVAILABLE.

- CL-379, CL-380, CL-381 are supplied with 20W MR-16, and CL-382 with 18W S.C. bayonet lamps.
- Remote 12 Volt transformer is required.
- See page 79 to 87 for transformers and accessories.
- When ordering, add the 2 letter color code to the end of the product number.
- When ordering, add the 2 letter color code of glass tulip to the end of the product number.

SPECIFICATIONS

HOUSING: Die-cast aluminum fixtures, solid brass glass tulip holder for CL-382.

FINISH: Polyester UV powder coated, available in **BK**-Black, (**GR**-Green available on CL-380, CL-381, CL-382).

LENS: Clear, tempered and heat resistant glass with silicone gasket for CL-379, CL-380.

Glass tulip for CL-382, available in **AG**-Amber Green, **WH**-White (no lens for CL-381).

LAMP TYPE: 12V, MR-16 halogen, 50W max. for CL-379, CL-380, CL-381 and S.C. bayonet 27W max. for CL-382. See page 88 for LED and color MR-16 lamps (for CL-379 and CL-380), xenon and halogen lamps (for CL-382).

MOUNTING: Cast aluminum loop with 5-foot stainless steel hanging cable.

WIRING: All fixtures are prewired with a 5-foot pigtail of cable.



FOR CL-379 AND
CL-380 ONLY



FOR CL-382 ONLY



CL-379

12 VOLT STEP LIGHTS



CL-343B-SI

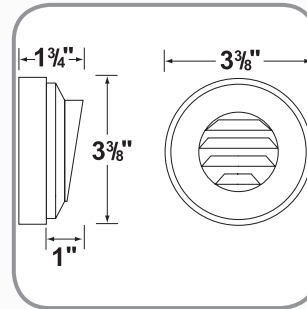


CL-342B-SI

CL-342B-AB



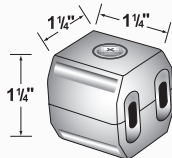
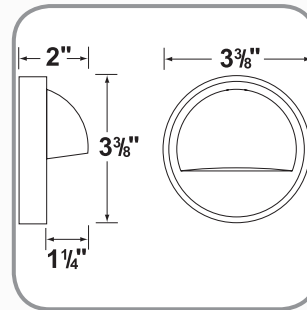
CL-342B-BR



CL-343B-AB



CL-343B-BR



CX-839
CORONA UNIVERSAL
CONNECTOR AVAILABLE.

- Fixtures are supplied with 18W T5 wedge lamp.
- Remote 12 Volt transformer is required.
- See page 79 to 87 for transformers and accessories.
- When ordering, add the 2 letter color code to the end of the product number.

SPECIFICATIONS

HOUSING: Solid cast brass. Easy turn and lock face plates, allowing for tool free relamping.

FINISH: AB-Antique Bronze, BR-Natural Brass, SI-Silver Plated.

LENS: Frosted, tempered and heat resistant glass sealed and secured to face plates, including gasket.

LAMP TYPE: 12V, T5 wedge, 18W max.

MOUNTING: Surface mounted including mounting plate. For outdoor use only.

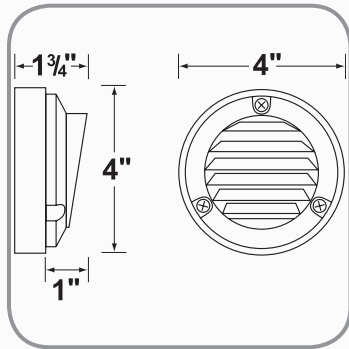
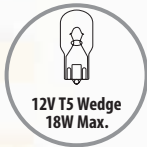
WIRING: All fixtures are prewired with a 3-foot pigtail of direct burial wire.

12 VOLT STEP LIGHTS

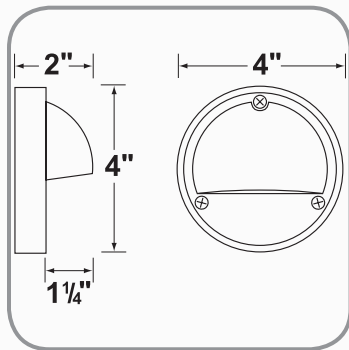
CL-352-BR



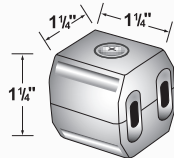
CL-353-SS



CL-352-SS



CL-353-BR



CX-839
CORONA UNIVERSAL
CONNECTOR AVAILABLE.

- Fixtures are supplied with 18W T5 wedge lamp.
- Remote 12 Volt transformer is required.
- See page 79 to 87 for transformers and accessories.
- When ordering, add the 2 letter color code to the end of the product number.

SPECIFICATIONS

HOUSING: Solid Brass and stainless steel.

FINISH: BR-Natural Brass and SS-Natural Stainless Steel.

LENS: Frosted, tempered and heat resistant glass sealed and secured to face plates, including gasket.

LAMP TYPE: 12V, T5 wedge, 18W max. See page 88 for energy efficient LED lamp.

MOUNTING: Surface mounted including mounting plate. For outdoor use only.

WIRING: All fixtures are prewired with a 3-foot pigtail of burial cable.

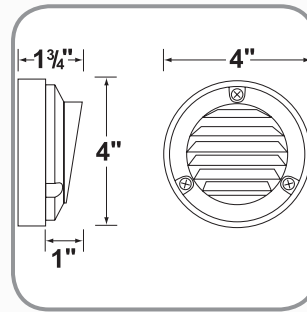


12 VOLT STEP LIGHTS

CL-352

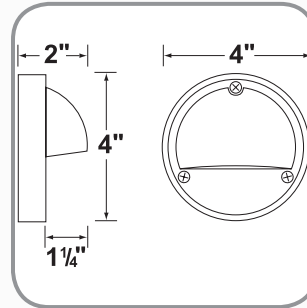


CL-352

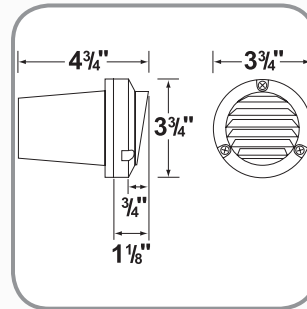


LED AVAILABLE
FOR CL-352 AND CL-353 ONLY

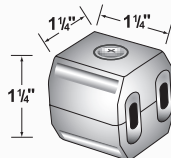
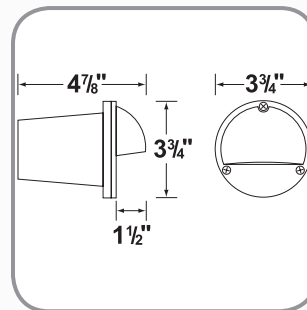
CL-353



CL-354



CL-355



CK-839
CORONA UNIVERSAL
CONNECTOR AVAILABLE.

- Fixtures are supplied with 18W T5 wedge lamp.
- Remote 12 Volt transformer is required.
- See page 79 to 87 for transformers and accessories.
- When ordering, add the 2 letter color code to the end of the product number

SPECIFICATIONS

HOUSING: Die-cast aluminum.

FINISH: Polyester UV powder coated, available in **BK-Black**, **WH-White**, (**BZ-Bronze** available on CL-352, CL-353).

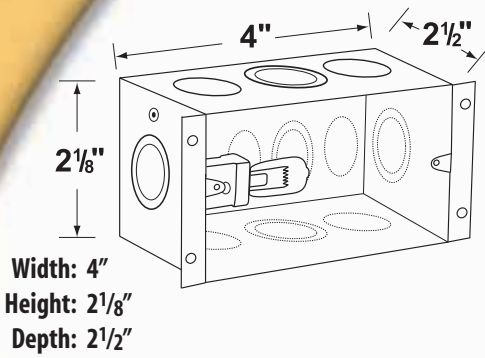
LENS: Frosted, tempered and heat resistant glass sealed and secured to face plates, including gasket.

LAMP TYPE: 12V,T5 wedge, 18W max. See page 88 for LED lamp used in CL-352 and CL-353.

MOUNTING: Surface mounted including mounting plate for CL-352, CL-353. Recessed mounted into concrete, brick, and masonry for CL-354 and CL-355. For outdoor use only.

WIRING: All fixtures are prewired with a 3-foot pigtail of burial cable.

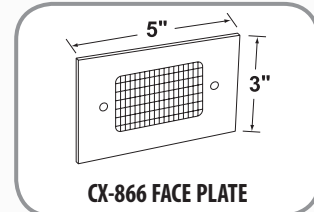
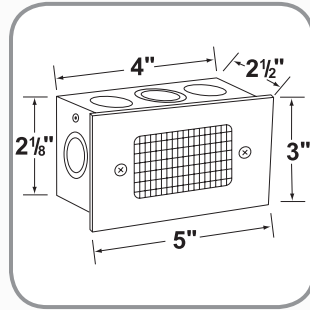




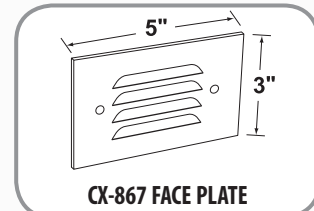
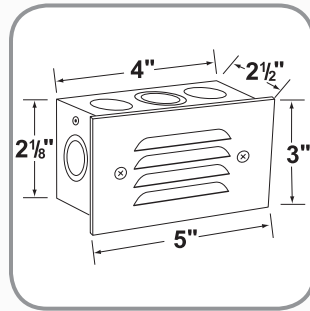
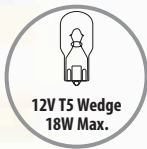
CX-730-W



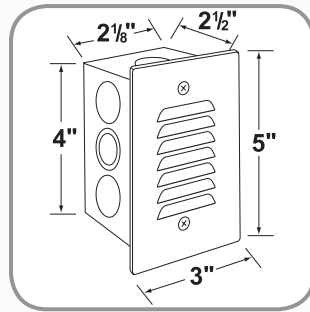
Steel mount box with T5 wedge socket.



CL-350



CL-351



CL-356

SPECIFICATIONS

HOUSING: White powder coated steel mount box with T5 wedge socket.

FACE PLATE: Stamped steel available in **CU**-Copper Plated, **PB**-Polish Brass Plated, **SI**-Silver Plated, polyester UV powder coated in **BK**-Black, **BZ**-Bronze, **WH**-White, all with silicone gasket.

LENS: Clear polycarbonate for CL-350, tempered and heat resistant glass for CL-351 and CL-356. Lenses are sealed and secured to face plates.

LAMP TYPE: 12V, T5 wedge, 18W max. Available with S.C. bayonet lamp, 27W max. See page 88 for T5 wedge base LED, xenon and halogen lamps.

MOUNTING: Recessed box to mount into concrete, brick, and masonry. For outdoor use only.

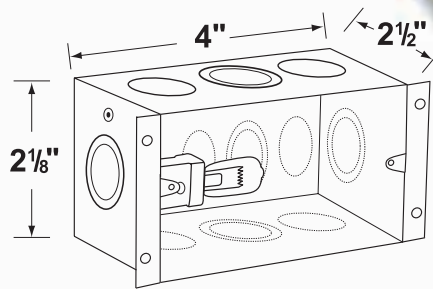
WIRING: All fixtures are prewired with a 12-inch pigtail wire.

- Fixtures are supplied with 18W T5 wedge lamp.
- Remote 12 Volt transformer is required.
- See page 79 to 87 for transformers and accessories.
- 30-foot #18-2 direct burial fixture pigtail wire available. When ordering, add -30 to the end of the product number.
- When ordering, add the 2 letter color code to the end of the product number

CX-730-W

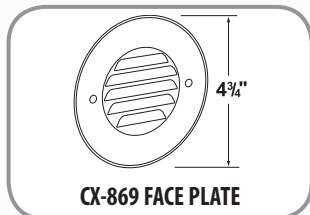


Steel mount box with T5 wedge socket.



Width: 4"
Height: 2 1/8"
Depth: 2 1/2"

12 VOLT STEP LIGHTS

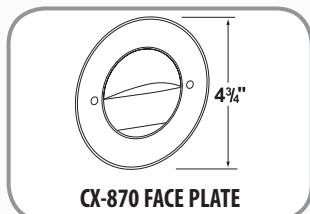
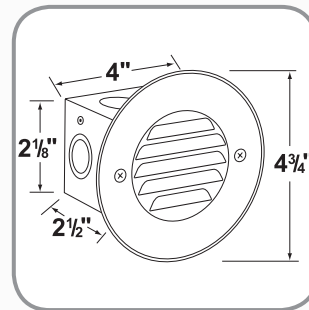


CX-869 FACE PLATE

CL-357



CL-357-BZ SHOWN

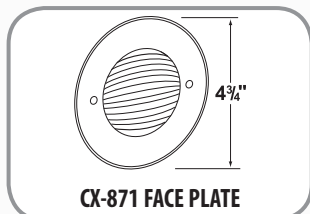
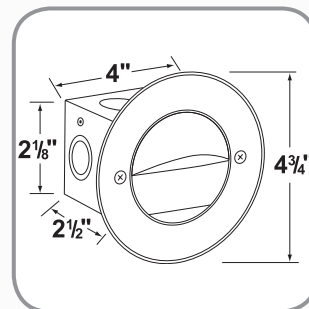


CX-870 FACE PLATE

CL-358



CL-358-SI SHOWN

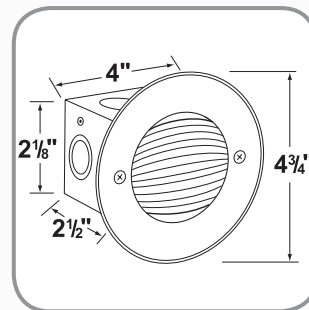


CX-871 FACE PLATE

CL-359



CL-359-BK SHOWN



SPECIFICATIONS

HOUSING: White powder coated steel mount box with T5 wedge socket.

FACE PLATE: Stamped steel available in **CU**-Copper Plated, **PB**-Polish Brass Plated, **SI**-Silver Plated, polyester UV powder coated in **BK**-Black, **BZ**-Bronze, **WH**-White, all with silicone gasket.

LENS: Frosted, tempered, and heat resistant glass, sealed and secured to face plates.

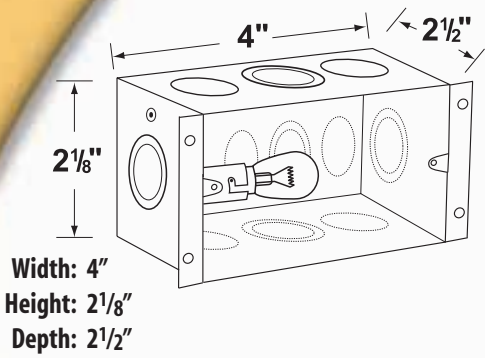
LAMP TYPE: 12V, T5 wedge, 18W max. Available with S.C. bayonet lamp, 27W max. See page 88 for T5 wedge base LED, xenon and halogen lamps.

MOUNTING: Recessed box to mount into concrete, brick, and masonry. For outdoor use only.

WIRING: All fixtures are prewired with a 12-inch pigtail wire.

- Fixtures are supplied with 18W T5 wedge lamp.
- Remote 12 Volt transformer is required.
- See page 79 to 87 for transformers and accessories.
- 30-foot #18-2 direct burial fixture pigtail wire available. When ordering, add -30 to the end of the product number.
- When ordering, add the 2 letter color code to the end of the product number

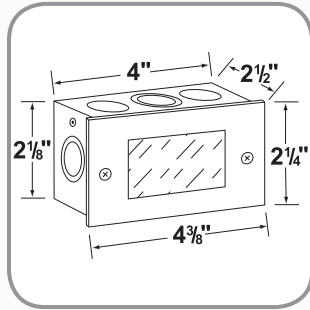
12 VOLT SLIM STEP LIGHTS



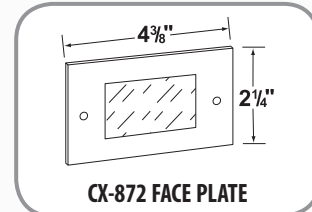
CX-730-B



Steel mount box with S.C. bayonet socket.



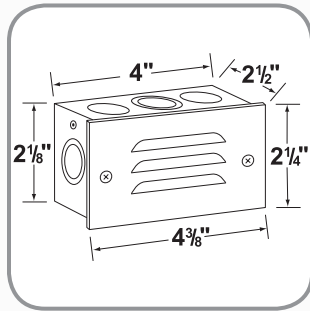
CL-360B-AB SHOWN



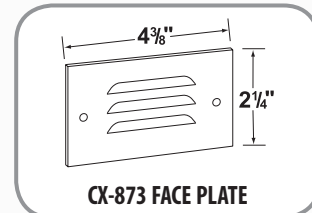
CX-872 FACE PLATE



CL-360



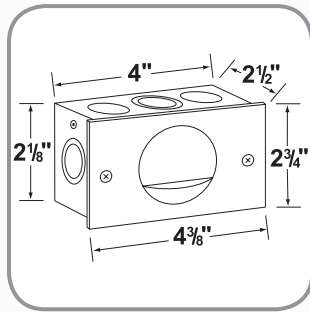
CL-361-RT SHOWN



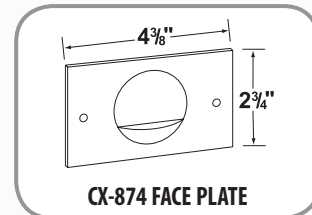
CX-873 FACE PLATE



CL-361



CL-362C-RC SHOWN



CX-874 FACE PLATE



CL-362

68

- Fixtures are supplied with 18W S.C. bayonet lamp.
- Remote 12 Volt transformer is required.
- See page 79 to 87 for transformers and accessories.
- 30-foot #18-2 direct burial fixture pigtail wire available. When ordering, add -30 to the end of the product number.
- When ordering, add the 2 letter color code to the end of the product number

SPECIFICATIONS

HOUSING: White powder coated steel mount box with S.C. bayonet socket.

FACE PLATE: Stamped copper available in **RC**- Raw Copper, stamped brass available in **AB**-Antique Bronze, **OC**-Old Copper, **SI**-Silver Plated, stamped aluminum UV powder coated available in **BK**-Black, **BZ**-Bronze, **RT**-Rust, **WH**-White, all with silicone gasket.

LENS: High impact white polycarbonate sealed and secured to face plates. CL-362 is lens-less.

LAMP TYPE: 12V, S.C. bayonet, 27W max. Available with T5 wedge lamp, 18W max. See page 88 for xenon, halogen and T5 wedge base LED lamps.

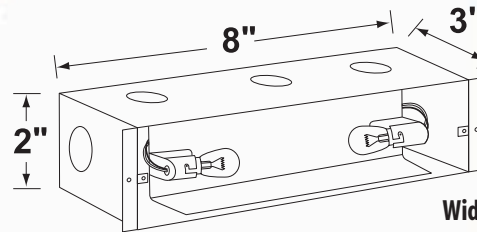
MOUNTING: Recessed box to mount into concrete, brick, and masonry. For outdoor use only.

WIRING: All fixtures are prewired with a 12-inch pigtail wire.

CX-732-B



Steel mount box with two S.C. bayonet sockets.

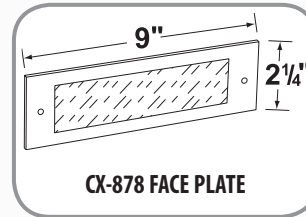
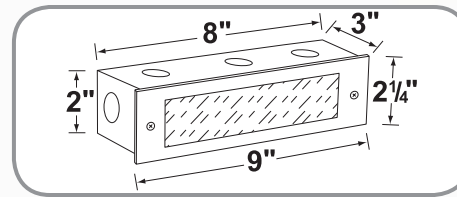


Width: 8"
Height: 2"
Depth: 3"

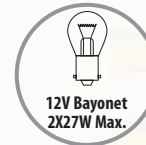


CL-366

CL-366-BZ SHOWN

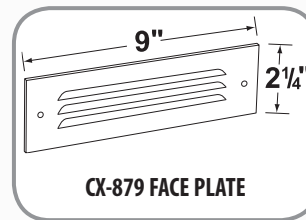
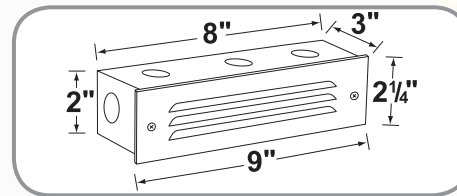


CX-878 FACE PLATE

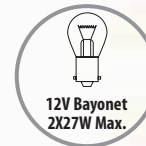


CL-367

CL-367B-OC SHOWN



CX-879 FACE PLATE



SPECIFICATIONS

HOUSING: White powder coated steel mount box with two S.C. bayonet sockets.

FACE PLATE: Stamped copper available in **RC**-Raw Copper, stamped brass available in **AB**-Antique Bronze, **OC**-Old Copper, **SI**-Silver Plated, stamped aluminum UV powder coated available in **BK**-Black, **BZ**-Bronze, **RT**-Rust, **WH**-White, all with silicone gasket.

LENS: High impact white polycarbonate sealed and secured to face plates.

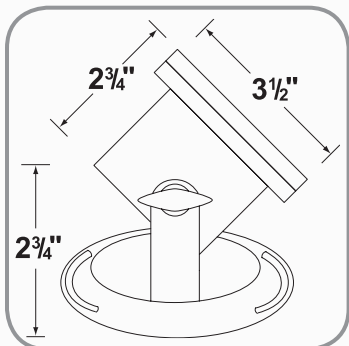
LAMP TYPE: 12V, S.C. bayonet, 2 x 27W max. Available with T5 wedge lamp, 2 x 18W max. See page 88 for xenon, halogen and T5 wedge base LED lamps.

MOUNTING: Recessed box to mount into concrete, brick, and masonry. For outdoor use only.

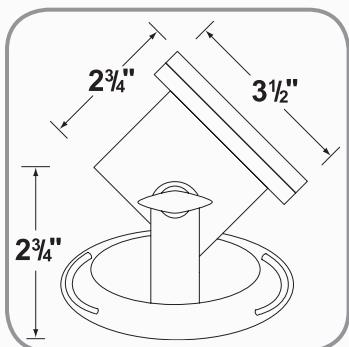
WIRING: All fixtures are prewired with a 12-inch pigtail wire.

- Fixtures are supplied with 2 x 18W S.C. bayonet lamps.
- Remote 12 Volt transformer is required.
- See page 79 to 87 for transformers and accessories.
- 30-foot #18-2 direct burial fixture pigtail wire available. When ordering, add -30 to the end of the product number.
- When ordering, add the 2 letter color code to the end of the product number

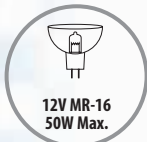
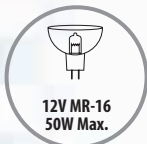
CL-311-BR



CL-311-SS



CL-311-BR



APPLICATIONS: To be used in fountains, ponds, garden pools, and waterfalls. Do not use in swimming pools and spas.

- Fixture are supplied with 20W MR-16 lamp.
- Remote 12 Volt transformer is required.
- See page 79 to 87 for transformers and accessories.

SPECIFICATIONS

HOUSING: Solid brass and stainless steel.

FINISH: BR-Natural Brass and SS-Natural Stainless Steel.

LENS: Clear, tempered, and heat resistant glass with silicone gasket, fully sealed for underwater usage.

See page 86 for special effect lenses, honeycomb louver and frosted glass lens CX-251-FR
LAMP TYPE: 12V, MR-16 halogen, 50W max. See page 88 for LED and color MR-16 lamps.

MOUNTING: Fully adjustable mounting arm to provide light aiming. Fixtures are mounted on a heavy duty stainless steel/brass base for a firm and stable underwater placement.

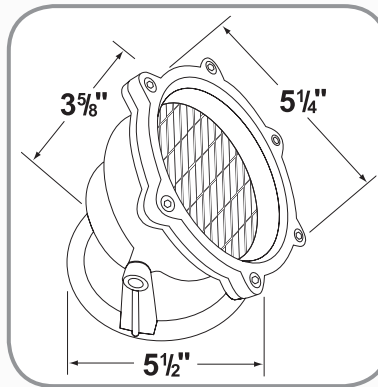
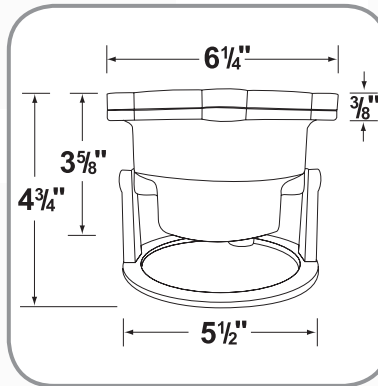
WIRING: Fixtures are prewired with a 30-foot pigtail of water resistant cable. Other lengths of pigtail cables available.



CL-313-BR



CL-313-BR



APPLICATIONS: To be used in fountains, ponds, garden pools, and waterfalls. Do not use in swimming pools and spas.

- Fixture could be supplied with different kinds of PAR36 lamps.
- Remote 12 Volt transformer is required.
- See page 79 to 87 for transformers and accessories.

SPECIFICATIONS

HOUSING: Solid brass.

FINISH: BR-Natural brass.

LENS: Clear, tempered, and heat resistant glass with silicone "O" ring gasket, fully sealed for underwater usage.

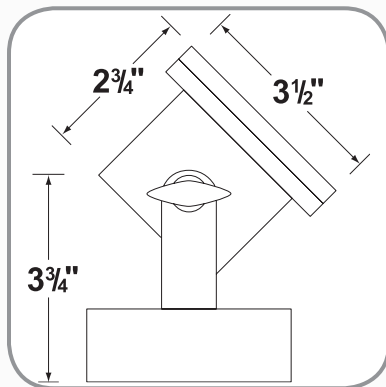
LAMP TYPE: 12V, PAR36, 50W max. See page 88 for color PAR36 lamps.

MOUNTING: Fully adjustable mounting arm to provide light aiming. Fixture is mounted on a heavy duty brass base for a firm and stable underwater placement.

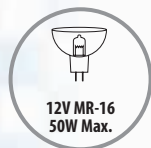
WIRING: Fixture is prewired with a 30-foot pigtail of water resistant cable.

Other lengths of pigtail cables available.

CL-310-BK



CL-310-BK



72

APPLICATIONS: To be used in fountains, ponds, garden pools, and waterfalls. Do not use in swimming pools and spas.

- Fixture is supplied with 20W MR-16 lamp.
- Remote 12 Volt transformer is required.
- See page 79 to 87 for transformers and accessories.

SPECIFICATIONS

HOUSING: Die-Cast aluminum. Louvered face plate CX-852-BK available.

FINISH: Polyester UV powder coated, available in **BK-Black**.

LENS: Clear, tempered, and heat resistant glass with silicone gasket, fully sealed for underwater usage.

See page 86 for special effect lenses, honeycomb louver and frosted glass lens CX-251-FR.

LAMP TYPE: 12V, MR-16 halogen, 50W max. See page 88 for LED and color MR-16 lamps.

MOUNTING: Fully adjustable mounting arm to provide light aiming. Fixture is mounted on a weighted square base for a firm and stable underwater placement.

WIRING: Fixture is prewired with a 30-foot pigtail of water resistant cable. Other lengths of pigtail cables available.

CL-321-NM

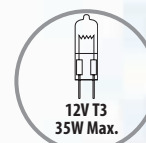
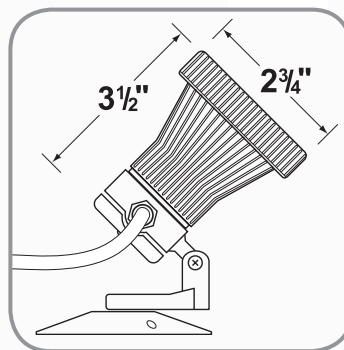


12 VOLT UNDER WATER LIGHTS



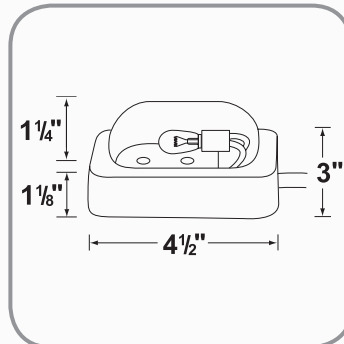
AVAILABLE
FOR CL-320-NM ONLY

CL-320-NM



AVAILABLE
FOR CL-321-NM ONLY

CL-321-NM



SPECIFICATIONS

HOUSING: Injection-molded fiberglass for CL-320-NM, non corrosive high impact polycarbonate for CL-321-NM.

FINISH: Polyester UV powder coated, available in **BK-Black**

LENS: Clear, tempered, and heat resistant glass with interior reflector for CL-320-NM. Clear, heat and impact resistant polycarbonate for CL-321-NM.

All fixtures are fully sealed for underwater usage including silicone gasket.

LAMP TYPE: 12V,T3 halogen, 35W max. for CL-320-NM, T5 wedge, 18W max. for CL-321-NM. See page 88 for T5 wedge base LED for CL-321-NM, and T3 xenon for CL-320-NM.

MOUNTING: CL-320-NM is fully adjustable to provide light aiming, mounted on a heavy duty stainless steel round base including in-out compartment for multiple connection of fixtures.

CL-321-NM includes an interior weighted cast iron block mounted on its base.

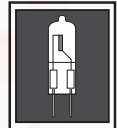
All fixtures suitable for a firm and stable underwater placement.

WIRING: All fixture are prewired with a 30-foot pigtail of water resistant cable.

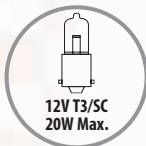
APPLICATIONS: To be used in fountains, ponds, garden pools, and waterfalls. Do not use in swimming pools and spas.

- CL-320-NM is supplied with 20W T3 halogen and CL-321-NM with 18W wedge lamps.
- Remote 12 Volt transformer is required.
- See page 79 to 87 for transformers and accessories.

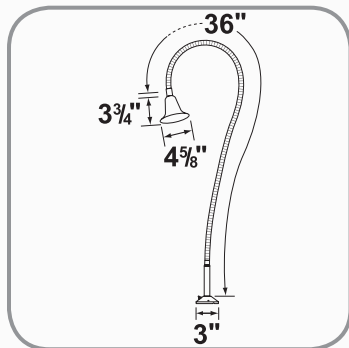
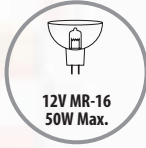
XENON



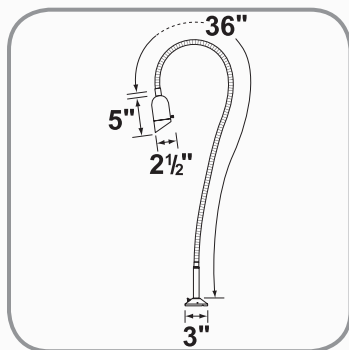
AVAILABLE FOR CL-806-D-SI ONLY



LED AVAILABLE FOR CL-807-D-SI ONLY



CL-806-D-SI



CL-807-D-SI



CL-807-D-SI

SPECIFICATIONS

HOUSING: Solid brass bell head for CL-806-D-SI and die cast aluminum for CL-807-D-SI with flexible steel arms, available in 24" and 36" length.

FINISH: Chrome plated fixtures and flexible arms, available in **SI**- Silver Plated.

LENS: Clear, tempered and heat resistant glass (CL-806-D-SI is lens-less)

LAMP TYPE: CL-806-D-SI, 12V T3 halogen with S.C. bayonet base, 20W max.
CL-807-D-SI, 12V MR-16 halogen, 50W max.

See page 88 for S.C. xenon lamp used in CL-806-D-SI and LED, color MR-16 lamps used in CL-807-D-SI.

MOUNTING: 3" round aluminum base canopy, chrome plated, with on/off push button covered by rubber boot.

WIRING: Fixtures are prewired with a 3-foot pigtail of cable.

- Fixtures are supplied with 20W lamp.
- Remote 12 Volt transformer is required.
- See page 79 to 87 for transformers and accessories.
- To indicate the length of the arm, add "-24" or "-36" to the end of the product number.

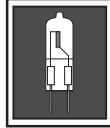


12 VOLT FLEXIBLE B.B.Q. - DECK LIGHTS



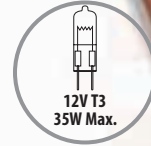
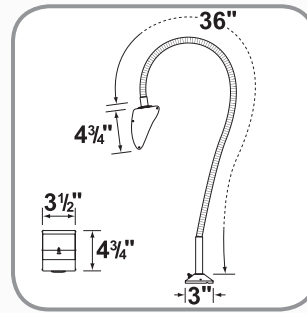
CL-801-D

XENON

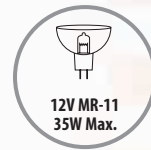
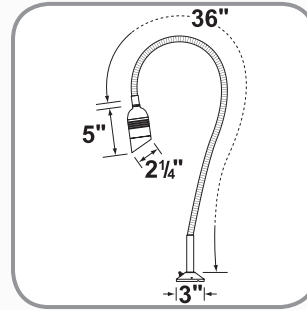


AVAILABLE
FOR CL-801-D ONLY

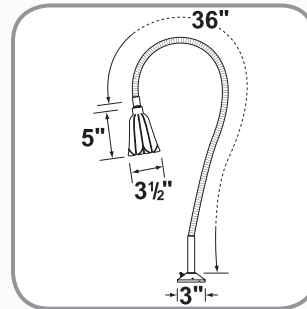
CL-801-D



CL-802-D



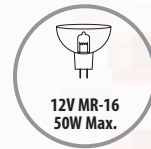
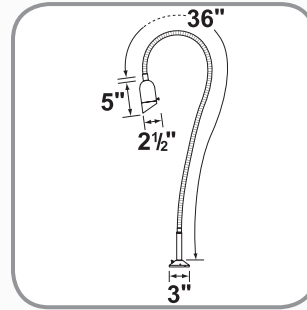
CL-803-D



CL-807-D



LED
AVAILABLE
FOR CL-807-D ONLY



- Fixtures are supplied with 20W lamp.
- Remote 12 Volt transformer is required.
- See page 79 to 87 for transformers and accessories.
- To indicate an arm length, add "-BK-12", "-BK-24", "-BK-36" to the end of the product number.

SPECIFICATIONS

HOUSING: Die-cast aluminum fixtures with flexible steel black polyolefin shrink wrap arm, available in 12", 24", 36" length.

FINISH: Polyester UV powder coated, available in **BK-Black**.

LENS: Clear, tempered, and heat resistant glass (CL-803-D is lens-less).

LAMP TYPE: CL-801-D, 12V, T3 halogen, 35W max.
 CL-802-D, 12V, MR-11 halogen, 35W max.
 CL-803-D, 12V, MR-16 halogen, 50W max.
 CL-807-D, 12V, MR-16 halogen, 50W max.

MOUNTING: 3" round aluminum base canopy with on/off push button covered by rubber boot.

WIRING: All fixtures are prewired with a 3-foot pigtail of cable.



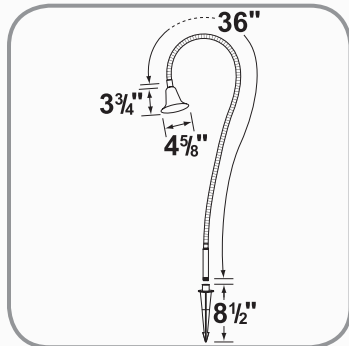
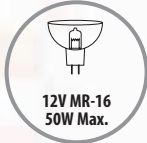
12 VOLT FLEXIBLE GARDEN LIGHTS



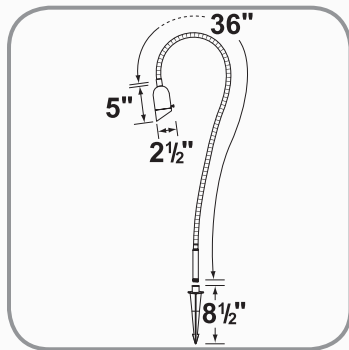
FOR CL-806-F-SI ONLY



FOR CL-807-F-SI ONLY



CL-806-F-SI



CL-807-F-SI



CL-806-F-SI

76

SPECIFICATIONS

HOUSING: Solid brass bell head for CL-806-F-SI and die cast aluminum for CL-807-F-SI with flexible steel arms, available in 24" and 36" length.

FINISH: Chrome plated fixtures and flexible arms, available in **SI-** Silver Plated.

LENS: Clear, tempered and heat resistant glass (CL-806-F-SI is lens-less)

LAMP TYPE: CL-806-F-SI, 12V S.C. bayonet, 27W max.

CL-807-F-SI, 12V MR-16 halogen, 50W max.

See page 88 for S.C. xenon and T3 halogen lamps used in CL-806-F-SI and LED, color MR-16 lamps used in CL-807-F-SI.

MOUNTING: 1/2" NPT on bottom, including ground spike.

WIRING: Fixtures are prewired with a 3-foot pigtail of cable.

- CL-806-F-SI is supplied with 18W S.C. bayonet and CL-807-F-SI with 20W MR-16 lamps.
- Remote 12 Volt transformer is required.
- See page 79 to 87 for transformers and accessories.
- To indicate the length of the arm, add "-24" or "-36" to the end of the product number.

CORONA Lighting Inc.

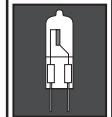
WWW.CORONALIGHTING.COM



12 VOLT FLEXIBLE GARDEN LIGHTS



CL-801-F

XENON

AVAILABLE
FOR CL-801-F ONLY

CL-802-F

CL-803-F


LED
AVAILABLE
FOR CL-807-F ONLY

CL-807-F

CL-801-F			
			
			
			

- Fixtures are supplied with 20W lamp.
- Remote 12 Volt transformer is required.
- See page 79 to 87 for transformers and accessories.
- To indicate an arm length, add "-BK-12", "-BK-24", "-BK-36" to the end of the product number.

SPECIFICATIONS

HOUSING: Die-cast aluminum with flexible steel black polyolefin shrink wrap arm, available in 12", 24", 36" length.

FINISH: Polyester UV powder coated, available in **BK-Black**.

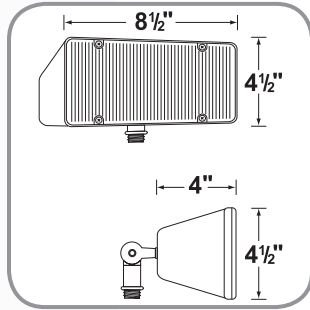
LENS: Clear, tempered, and heat resistant glass (CL-803-F is lens-less).

LAMP TYPE: CL-801-F, 12V, T3 halogen, 35W max.
 CL-802-F, 12V, MR-11 halogen, 35W max.
 CL-803-F, 12V, MR-16 halogen, 50W max.
 CL-807-F, 12V, MR-16 halogen, 50W max.

MOUNTING: 1/2" NPT on bottom, including ground spike.

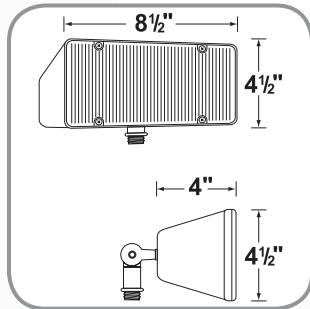
WIRING: All fixtures are prewired with a 3-foot pigtail of cable.

ES-1303



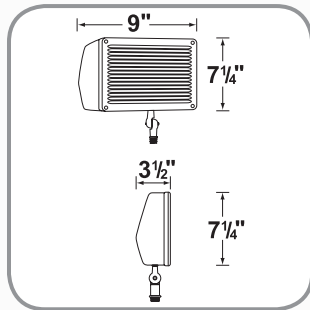
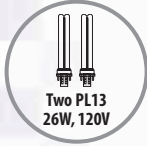
ES-1303

120 VOLT



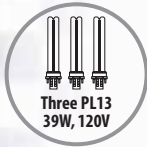
ES-2603

120 VOLT



WS-40

120 VOLT



SPECIFICATIONS

HOUSING: Vandal and corrosion resistant injection molded polycarbonate with anodized aluminum reflector. Suitable for wet location.

FINISH: Available in **BK**-Black, **GR**-Green, **WH**-White (**BK**-Black on WS-40).

LENS: High impact clear polycarbonate prismatic lens with tabular silicone lens gasket.

LAMP TYPE: One, two, or three 13 watt twin tube PL compact fluorescent, 2 pin, GX23 base.

MOUNTING: 3"x1/2" threaded cast aluminum swivel knuckle for flexible aiming.

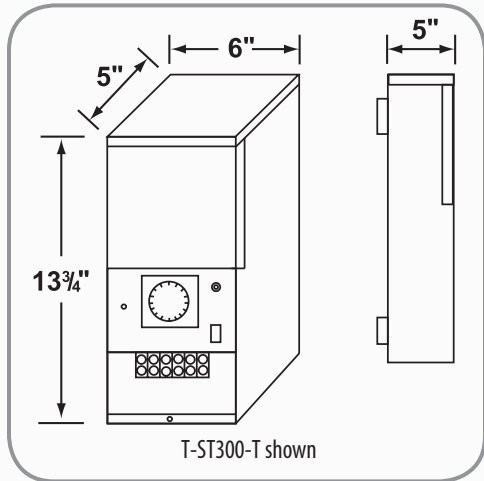
BALAST: 120 Volts, normal power factor.

- Fixtures are supplied with cool white 4100K lamp. Warm white 2700K lamp available.
- When ordering, add the 2 letter color code to the end of the product number.

T-ST SERIES, MULTI-TAP LOW VOLTAGE TRANSFORMERS



T-ST300-TP shown



T-ST300-T shown

SPECIFICATIONS

AVAILABLE WATTAGE: 300W single circuit, 600W dual circuit, 900W triple circuit.

PRIMARY VOLTAGE: 120 Volts

SECONDARY VOLTAGE: 12, 13, 14 Volts

SECONDARY PROTECTION: Re-settable circuit breaker.

ENCLOSURE: Polished stainless steel.

WIRING: Heavy gauge, grounded and water resistant 6 foot power cord with plug.

FEATURES

- NEMA 3R outdoor rated enclosure, seals components from moisture.
- 1/2" and 3/4" knockouts on bottom of enclosure to mount conduit.
- Removable cover door and keyhole wall mount brackets.
- Wiring compartment with over size lugs for easy cable hook-up.
- Copper tubes for best connection of main cable to terminals.
- Field installed 24-hour plug-in timer available.
- Field installed 25 foot remote photocell available.
- 3 position function switch: Photo, Off, Photo & Timer.
- X-10 PRO remote control compatible.

PRODUCT WATTAGE	APPROX. DIMENSIONS IN INCHES		
	HEIGHT	WIDTH	DEPTH
300W	13.75	6.00	5.00
600W	15.00	6.00	5.50
900W	15.00	6.00	5.50

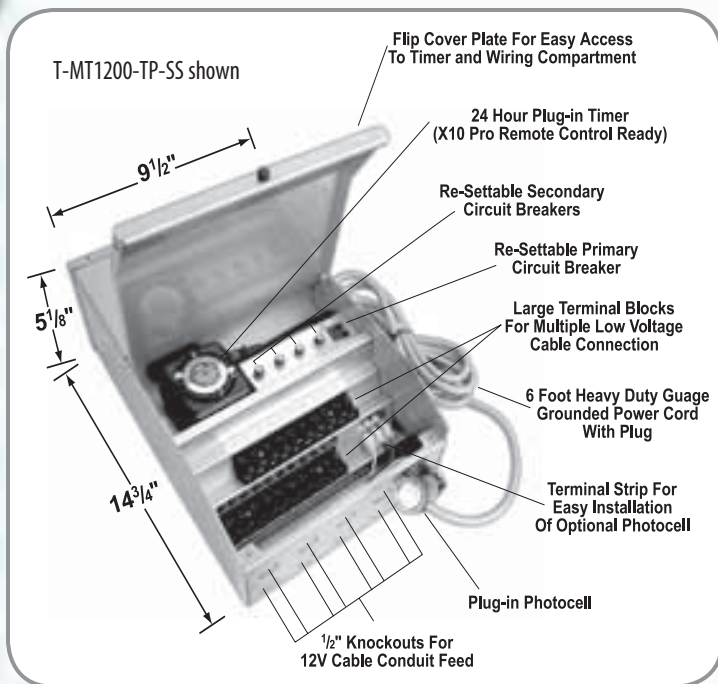
TRANSFORMER ORDERING INFORMATION

PRODUCT NUMBER	PRODUCT DESCRIPTION
T-ST300	300W, 12-14V, single circuit transformer (300W x 1)
T-ST300-T	300W, 12-14V, single circuit transformer with plug-in timer
T-ST300-P	300W, 12-14V, single circuit transformer with 25 foot remote photocell
T-ST300-TP	300W, 12-14V, single circuit transformer with plug-in timer and 25 foot remote photocell
T-ST600	600W, 12-14V, dual circuit transformer (300W x 2)
T-ST600-T	600W, 12-14V, dual circuit transformer with plug-in timer
T-ST600-P	600W, 12-14V, dual circuit transformer with 25 foot remote photocell
T-ST600-TP	600W, 12-14V, dual circuit transformer with plug-in timer and 25 foot remote photocell
T-ST900	900W, 12-14V, triple circuit transformer (300W x 3)
T-ST900-T	900W, 12-14V, triple circuit transformer with plug-in timer
T-ST900-P	900W, 12-14V, triple circuit transformer with 25 foot remote photocell
T-ST900-TP	900W, 12-14V, triple circuit transformer with plug-in timer and 25 foot remote photocell

ACCESSORIES: See page 81

• **Caution:** Always use installation instruction sheet prior to hook-up. Improper installation will result in permanent damage to system and voids warranty

T-MT SERIES, MULTI-TAP LOW VOLTAGE TRANSFORMERS



PRODUCT WATTAGE	APPROX. DIMENSIONS IN INCHES		
	HEIGHT	WIDTH	DEPTH
300W	17.14	5.33	7.76
600W	17.14	5.33	7.76
900W	17.14	5.33	7.76
1200W	17.14	5.33	7.76

SPECIFICATIONS

AVAILABLE WATTAGE: 300W single circuit, 600W dual circuit, 900W triple circuit, 1200W quad circuit.

PRIMARY VOLTAGE: 120 Volts

SECONDARY VOLTAGE: 12, 13, 14, 15 Volts.

PRIMARY AND SECONDARY PROTECTION: Both re-settable circuit breakers.

ENCLOSURE: Polished stainless steel and powder coated galvanized steel in black.

WIRING: Heavy duty gauge, grounded and water resistant 6 foot power cord with plug.

FEATURES

- NEMA 3R outdoor rated enclosure, seals components from moisture.
- Wiring compartment with a cover plate isolate the live components providing safe and easy access to the timer and circuit breakers.
- Double section bobbins provide maximum isolation between the primary and secondary windings.
- Large terminal blocks for multiple low voltage cables connections.
- 1/2" knockouts on bottom of enclosure to mount conduits and photocell.
- Field installed 24-hour plug-in timer available.
- Field installed plug-in photocell available.
- X-10 PRO remote control compatible.

T-MT SERIES TRANSFORMERS ORDERING INFORMATION

STAINLESS STEEL ENCLOSURE	POWDER COATED ENCLOSURE	PRODUCT DESCRIPTION
T-MT300-SS	T-MT300	300W, 12-15V, single circuit transformer (300W x 1)
T-MT300-T-SS	T-MT300-T	300W, 12-15V, single circuit transformer with 24-hour plug-in timer
T-MT300-P-SS	T-MT300-P	300W, 12-15V, single circuit transformer with field installed photocell
T-MT300-TP-SS	T-MT300-TP	300W, 12-15V, single circuit transformer with 24-hour plug-in timer and field installed photocell
T-MT600-SS	T-MT600	600W, 12-15V, dual circuit transformer (300W x 2)
T-MT600-T-SS	T-MT600-T	600W, 12-15V, dual circuit transformer with 24-hour plug-in timer
T-MT600-P-SS	T-MT600-P	600W, 12-15V, dual circuit transformer with field installed photocell
T-MT600-TP-SS	T-MT600-TP	600W, 12-15V, dual circuit transformer with 24-hour plug-in timer and field installed photocell
T-MT900-SS	T-MT900	900W, 12-15V, triple circuit transformer (300W x 3)
T-MT900-T-SS	T-MT900-T	900W, 12-15V, triple circuit transformer with 24-hour plug-in timer
T-MT900-P-SS	T-MT900-P	900W, 12-15V, triple circuit transformer with field installed photocell
T-MT900-TP-SS	T-MT900-TP	900W, 12-15V, triple circuit transformer with 24-hour plug-in timer and field installed photocell
T-MT1200-SS	T-MT1200	1200W, 12-15V, quad circuit transformer (300W x 4)
T-MT1200-T-SS	T-MT1200-T	1200W, 12-15V, quad circuit transformer with 24- hour plug-in timer
T-MT1200-P-SS	T-MT1200-P	1200W, 12-15V, quad circuit transformer with field installed photocell
T-MT1200-TP-SS	T-MT1200-TP	1200W, 12-15V, quad circuit transformer with 24- hour plug-in timer and field installed photocell

- The transformers are dimmable with the dimmers designed for magnetic transformers (on primary only).
- Power factor @ full load: 0.98

ACCESSORIES



T-FIT
24 hour plug-in timer
Use with T-ST and
T-MT series only



T-MT-FIP
Field installed photocell
Use with T-MT series only



T-ST-FIP
25 foot remote photocell
Use with T-ST series only

- **Caution:** Always use installation instruction sheet prior to hook-up. Improper installation will result in permanent damage to system and voids warranty

T-C & T-CX SERIES, COMPACT LOW VOLTAGE TRANSFORMERS

SPECIFICATIONS

AVAILABLE WATTAGE: 150, 200, 250, 300W single circuit, 300, 500, 600W dual circuit, 750W triple circuit, 1000, 1200W quad circuit.

PRIMARY VOLTAGE: 120 Volts

SECONDARY VOLTAGE: 12-24 Volts (12 volts for T-C series)

PRIMARY PROTECTION: Resettable circuit breaker.

Secondary protection optional.

ENCLOSURE: Metal, powder coated in black.

Polished stainless steel available.

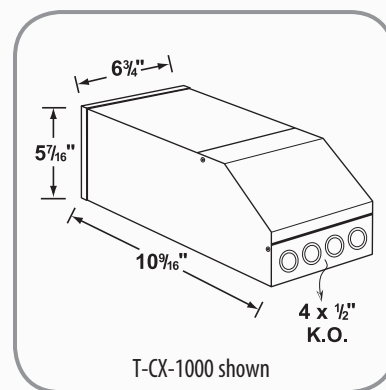
FEATURES

- NEMA 3R outdoor rated enclosure with keyhole wall mount brackets.
- ½" knockouts on bottom of enclosure to mount conduit.
- Lead wire terminals for easy cable installation.
- Standard boost tap, compensate for longer runs.
- Dimmable with any incandescent dimmer.
- Whisper quiet operation.

**277 VOLT
PRIMARY
AVAILABLE**



T-C & T-CX Series



T-CX-1000 shown

TRANSFORMER ORDERING INFORMATION

PRODUCT NUMBER	PRODUCT DESCRIPTION	APPROX. DIMENSIONS IN INCHES		
		HEIGHT	WIDTH	DEPTH
T-C-150	150W, 12V, single circuit transformer	7.50"	3.11"	2.94"
T-C-200	200W, 12V, single circuit transformer	7.50"	3.11"	2.94"
T-C-250	250W, 12V, single circuit transformer	8.00"	4.10"	3.10"
T-C-300	300W, 12V, single circuit transformer	8.00"	4.10"	3.10"
T-C-750	750W, 12V, triple circuit transformer	9.41"	4.60"	4.10"
T-CX-300	300W, 12-24V, dual circuit transformer	8.00"	4.10"	3.10"
T-CX-500	500W, 12-24V, dual circuit transformer	9.41"	4.60"	4.10"
T-CX-600	600W, 12-24V, dual circuit transformer	9.41"	4.60"	4.10"
T-CX-900	900W, 12-24V, triple circuit transformer	10.30"	6.78"	5.63"
T-CX-1000	1000W, 12-24V, quad circuit transformer	10.30"	6.78"	5.63"
T-CX-1200	1200W, 12-24V, quad circuit transformer	10.30"	6.78"	5.63"

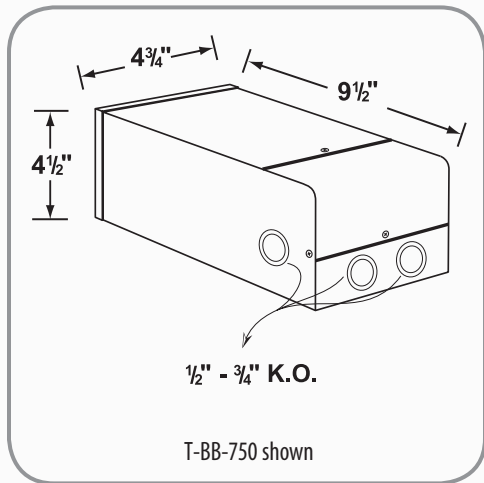
OPTIONS:

1. Available with stainless steel enclosure.
When ordering add "**-SS**" to the end of the product number.
2. Available with secondary circuit breaker protection (T-CX-300 excluded).
When ordering add "**-SC**" to the end of the product number.
3. Available in 277 volt primary voltage (T-C-300 and T-CX-600 only).
When ordering add "**-HV**" to the end of the product number.
4. Available with cord and plug.
When ordering add "**-CP**" to the end of the product number.

The above product numbers are only for representation of different compact low voltage transformers.

• **Caution:** Always use installation instruction sheet prior to hook-up. Improper installation will result in permanent damage to system and voids warranty

T-BB SERIES, BUCK-BOOST LOW VOLTAGE TRANSFORMERS



SPECIFICATIONS

AVAILABLE WATTAGE: 100, 150, 250, 500, 750, 1000, 1500, 2000W, single circuit.

PRIMARY VOLTAGE: 120-240 Volts

SECONDARY VOLTAGE: 12-24 Volts

ENCLOSURE: Steel, in gray finish.

FEATURES

- NEMA 3R outdoor rated enclosure with keyhole wall mount brackets.
- 1/2" and 3/4" knockouts on sides and bottom of enclosure to mount conduits.
- Dead front output cover with easy access wiring compartment.
- Lead wire terminals for easy installation.
- Fully encapsulated core and coil.

12 VOLT SERIES TRANSFORMERS

TRANSFORMER ORDERING INFORMATION

PRODUCT NUMBER	PRODUCT DESCRIPTION	APPROX. DIMENSIONS IN INCHES		
		HEIGHT	WIDTH	DEPTH
T-BB-100	100W, 12-24V, Single circuit transformer	6.50	3.75	3.50
T-BB-150	150W, 12-24V, Single circuit transformer	7.00	3.75	3.50
T-BB-250	250W, 12-24V, Single circuit transformer	8.50	4.00	4.00
T-BB-500	500W, 12-24V, Single circuit transformer	9.00	4.25	4.25
T-BB-750	750W, 12-24V, Single circuit transformer	9.50	4.75	4.50
T-BB-1000	1000W, 12-24V, Single circuit transformer	10.50	5.50	5.00
T-BB-1500	1500W, 12-24V, Single circuit transformer	11.50	5.50	5.00
T-BB-2000	2000W, 12-24V, Single circuit transformer	13.00	5.50	5.00

The above product numbers of T-BB series are only for representation of different name brands.

• **Caution:** Always use installation instruction sheet prior to hook-up. Improper installation will result in permanent damage to system and voids warranty

83

CORONA Lighting Inc.

WWW.CORONALIGHTING.COM

T-COMPACT ELECTRONIC SERIES, LOW VOLTAGE TRANSFORMERS

SPECIFICATIONS

AVAILABLE WATTAGE: 60, 75, 150, 300W, single circuit

PRIMARY VOLTAGE: 120 Volts

SECONDARY VOLTAGE: 12 Volts

PROTECTION: Electronic internal reset.



T-LRT-60 on left
T-LET-75 on right

TRANSFORMER ORDERING INFORMATION

PRODUCT NUMBER	PRODUCT DESCRIPTION	APPROX. DIMENSIONS IN INCHES		
		HEIGHT	WIDTH	DEPTH
T-LRT-60	60W, 12V, plug-in, 10-foot leadwire, UL-CUL	3.00	1.50	1.00
T-LET-75	75W, 12V, hardwire, 6-inch leadwire, UR	2.00	1.25	0.75
T-LET-151	150W, 12V, hardwire, 6-inch leadwire, UR	3.25	1.40	1.00
T-LVT-303	300W, 12V, hardwire, 6-inch leadwire, UR	9.25	1.60	1.50

- T-LRT-60 can be plugged to 120V receptacle to power low voltage fixture up to 60W.
- T-LET-75 can be retrofit in 120V junction box to power single or multiple low voltage fixtures up to 75W.
- All compact electronic series are dimmable.

T-DB SERIES, DIRECT BURIAL LOW VOLTAGE TRANSFORMERS

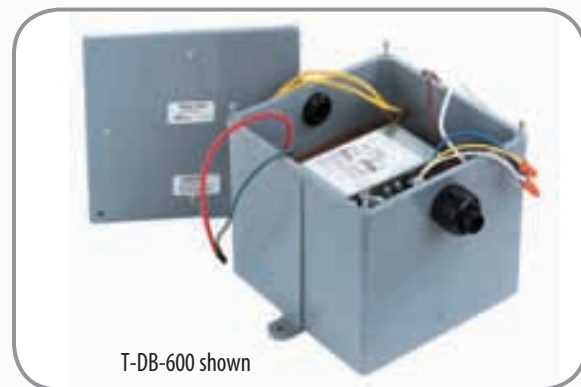
SPECIFICATIONS

AVAILABLE WATTAGE: 300W single circuit, 600W dual circuit, 900W triple circuit. Other wattage available.

PRIMARY VOLTAGE: 120 Volts

SECONDARY VOLTAGE: 12, 13, 14 Volts

ENCLOSURE: Heavy duty high temperature fiberglass composite box and cover.



T-DB-600 shown

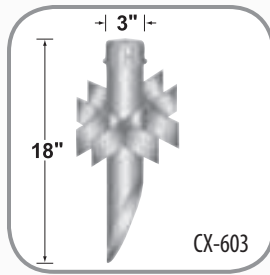
TRANSFORMER ORDERING INFORMATION

PRODUCT NUMBER	PRODUCT DESCRIPTION	APPROX. DIMENSIONS IN INCHES		
		HEIGHT	WIDTH	DEPTH
T-DB-300	300W, 12-14V, single circuit transformer, ETL	7.00	9.00	9.00
T-DB-600	600W, 12-14V, dual circuit transformer, ETL	7.00	12.00	12.00
T-DB-900	900W, 12-14V, triple circuit transformer, ETL	7.00	12.00	12.00

- Available in 277 Volt primary. Consult with factory.

The product numbers of T-DB series are only for representation of different name brands.

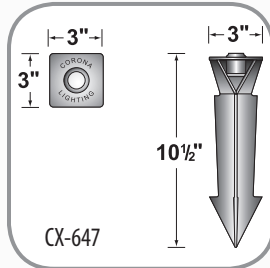
• **Caution:** Always use installation instruction sheet prior to hook-up. Improper installation will result in permanent damage to system and voids warranty



PVC MOUNTING POSTS & CAPS

- CX-601 1" post, with 1/2" NPT hub
- CX-602 2" post, with 1/2" NPT hub
- CX-603 3" post, with 1/2" NPT brass hub
- CX-604 1" adjustable, with 1/2" NPT hub
- CX-621 1" cap, with 1/2" NPT hub
- CX-622 2" cap, with 1/2" NPT hub
- CX-624 3" cap, with 1/2" NPT brass hub

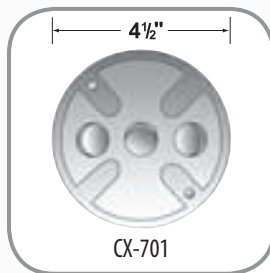
All available in **BK**-Black, **VG**-Verde Green. CX-604 in **BK**-Black only.



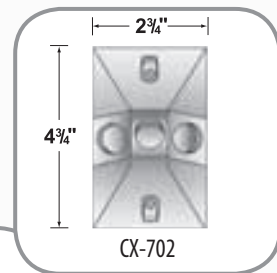
GROUND SPIKES

- CX-640 Aluminum, male, 6"x1/2" NPT hub
- CX-641 Aluminum, female, 6"x1/2" NPT hub
- CX-642 ABS, female, 8.5"x1/2" NPT Hub
- CX-643 Heavy duty ABS, female, 8.5"x1/2" NPT hub
- CX-646 ABS, female, 8"x1/2" NPT hub
- CX-647 Heavy duty ABS, female, 10.5"x1/2" NPT hub

All available in **BK**-Black. CX-646 available in **BR**-Brass, **SS**-Stainless Steel.



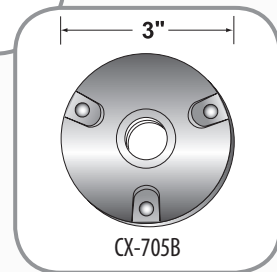
CX-701



CX-702



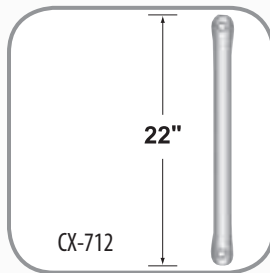
CX-703



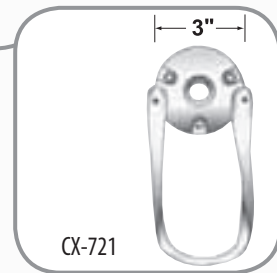
CX-705B

MOUNTING CANOPIES

- CX-701-BK Aluminum round canopy, with 3x1/2" NPT female hub, Black
- CX-702-BK Aluminum rectangular canopy, with 3x1/2" NPT female hub, Black
- CX-703-BK Aluminum round mini canopy, with screws and 1/2" NPT female hub, Black
- CX-703-BR Brass round mini canopy, with screws and 1/2" NPT female hub, Natural Brass
- CX-705B-AB Brass round mini canopy, with 1/2" NPT female hub, Antique Bronze
- CX-705B-BR Brass round mini canopy, with 1/2" NPT female hub, Natural Brass
- CX-705B-OC Brass round mini canopy, with 1/2" NPT female hub, Old Copper
- CX-705B-SI Brass round mini canopy, with 1/2" NPT female hub, Silver Plated
- CX-852-BK Aluminum guard face plate for CL-310-BK, Black



CX-712

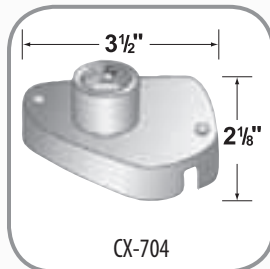


CX-721

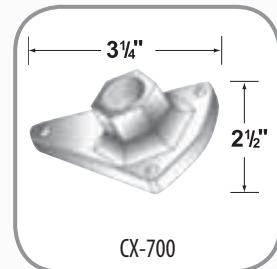
RUBBER STRAPS AND TREE MOUNT CANOPIES

- CX-710 9" strap, Black
- CX-711 15" strap, Black
- CX-712 22" strap, Black
- CX-713 31" strap, Black
- CX-714 41" strap, Black
- CX-720 Aluminum canopy w/9" strap
- CX-721 Aluminum canopy w/15" strap
- CX-722 Aluminum canopy w/22" strap
- CX-723 Aluminum canopy w/31" strap
- CX-724 Aluminum canopy w/41" strap

All available in **BK** and **BR**



CX-704



CX-700

MOUNTING BRACKETS

- CX-700 Aluminum triangle bracket, with 1/2" NPT hub
- CX-704 Aluminum oval bracket, with 1/2" NPT hub

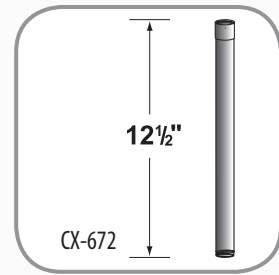
All available in **BK**-Black, **BZ**-Bronze, **GR**-Green **GT**-Granite, **RT**-Rust, **VG**-Verde Green, **WH**-White

• When ordering, add 2 letter color code to the end of the product number.

MOUNTING STEMS

- CX-671 6" aluminum, with coupling on end
- CX-672 12" aluminum with coupling on end
- CX-673 18" aluminum with coupling on end
- CX-680 1/2" aluminum coupling

All available in **BK**-Black, **BZ**-Bronze, **GR**-Green, **GT**-Granite, **RT**-Rust, **VG**-Verde Green, **WH**-White



LOW VOLTAGE CABLES

- CX-208 12 Volt, single circuit, 8-2 direct burial cable, 250 foot reel, Black
- CX-210 12 Volt, single circuit, 10-2 direct burial cable, 500 foot reel, Black
- CX-212 12 Volt, single circuit, 12-2 direct burial cable, 500 foot reel, Black

- 8-2 available in 100 foot reel, 10-2 and 12-2 available in 250 foot and 100 foot reels. When ordering, add your desired length to the end of the product number.
- Cables are two conductor copper stranded with black PVC insulation.

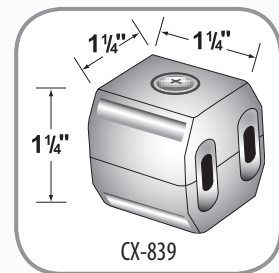


PVC JUNCTION BOXES

- CX-855 4"W x 4"D x 4"H, Gray
- CX-856 6"W x 6"D x 6"H, Gray
- CX-857 8"W x 8"D x 7"H, Gray

CABLE CONNECTORS

- CX-854 Direct burial wire nut
- CX-858 Speedy connector, up to 10-2
- CX-839 Universal connector, up to 8-2, one/pack



SPECIAL LENSES AND HONEYCOMB LOUVER

- CX-238 MR-16 snap on holder, silver plated
- CX-239 MR-16 honeycomb louver, Black
- CX-240 MR-16 color lens, flat*
- CX-241 MR-16 lens, linear spread
- CX-242 MR-16 lens, frosted
- CX-243 MR-16 lens, prismatic

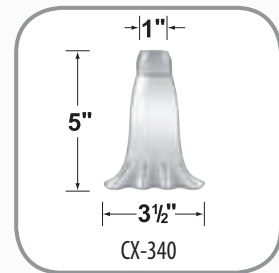
* Available in **AM**-Amber, **BL**-Blue, **GR**-Green, **RD**-Red, **YL**-Yellow

- Needs snap on holder CX-238 to hold lenses and louver on MR-16 lamps in most applications.



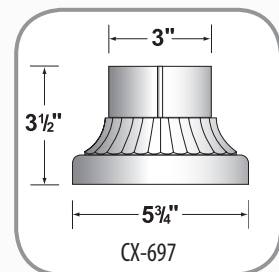
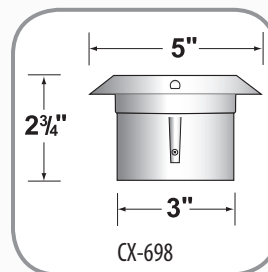
GLASS LENSES

- CX-251-FR Frosted glass lens, 2-5/8" O.D.
- CX-302-CL Clear glass lens for 2 tier pagodas
- CX-302-FR Frosted glass lens for 2 tier pagodas
- CX-303-CL Clear glass lens for 3 tier pagodas
- CX-303-FR Frosted glass lens for 3 tier pagodas
- CX-304-CL Clear glass lens for 4 tier pagodas
- CX-304-FR Frosted glass lens for 4 tier pagodas
- CX-304-FR Frosted glass lens for 4 tier pagodas
- CX-340-AG Glass tulip, Amber Green
- CX-340-WH Glass Tulip, White
- CX-380-FR Frosted glass lens, 2-7/8" O.D.
- CX-381-FR Frosted glass lens, 5.00" O.D.



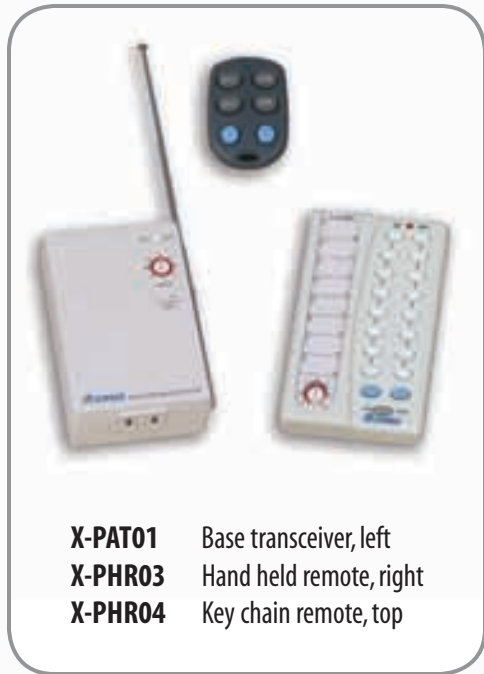
PIER MOUNT BASE AND POST TOP FOR PAGODAS

- CX-697 3" aluminum pier mount base for pagoda lights
 - CX-698 3" aluminum post top for CL-602, 603, 604
 - CX-699 3" aluminum post top for CL-642, 643, 644
- All available in **BK**-Black, **GR**-Green, **VG**-Verde Green



- When ordering, add 2 letter color code to the end of the product number.

HOME AUTOMATION



X-PAT01 Base transceiver, left
X-PHR03 Hand held remote, right
X-PHR04 Key chain remote, top



X-XPS3 on-off switch, left
X-PA011 Duplex receptacle, right
X-PHT02 Mini timer, middle

CONTROLLERS

- X-PHC01** X-10 Mini controller, 8 stations, available in black and white
- X-PHC02** X-10 Mini controller, 16 stations, available in black
- X-XPMT1** X-10 Mini timer, available in white
- X-PHR04** X-10 Key chain remote controller, available in gray
- X-PHR03** X-10 Hand held remote controller, available in white
- X-PAT01** X-10 Base transceiver, available in white
- X-PHS01** X-10 Dual flood light motion detector, available in gray

RECEIVERS

- X-PAM01** X-10 Appliance module, 2 Pin, available in white
- X-PAM02** X-10 Appliance module, 3 Pin, available in white
- X-PLM01** X-10 Plug-in incandescent dimmer, available in white
- X-XPS3** X-10 On-Off rocker switch, with white and ivory covers
- X-PA011** X-10 Half-switched duplex receptacle, 15A, available in white only
- X-XPDI3** X-10 Inductive dimmer, with white and ivory covers

**COMPLETE LINE OF X-10
PRODUCTS AVAILABLE**



X-10 is a network of controllers and receivers which send unique coded signals through home's wiring in order to control lights and appliances automatically. X-10 is affordable, easy to install and simple to use in most applications such as turning ON and OFF the lights at selected intervals or controlling lights by using hand held controller from inside of your car. X-10 turns any home into a comfortable and secured living environment.

For more information about X-10 PRO products contact 1-800-411-2888 or visit web site at WWW.X10PRO.COM



HALOGEN MR-16, CLEAR

- L-BAB-20/MB20W, FL
 - L-ESX-20 20W, SP
 - L-ESX-20/MB 20W, SP
 - L-FMW-35/MB35W, FL
 - L-EXN-50/MB50W, FL
 - L-EXT-50 50W, SP
 - L-EXT-50/MB 50W, SP
 - L-EYC-75/MB75W, FL
- MB stands for major brand lamps.

HALOGEN MR-11, CLEAR

- L-FTB-20 20W, NSP
- L-FTH-3535W, FL

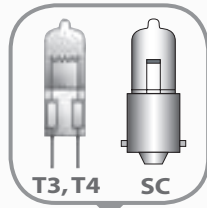


HALOGEN MR-16, FRONT GLASS

- L-BAB-C2020W, FL, clear
- L-BAB-B20 20W, FL, blue
- L-BAB-G2020W, FL, green
- L-BAB-R20 20W, FL, red
- L-BAB-Y20 20W, FL, yellow
- L-FMW-C3535W, FL, clear
- L-FMW-B3535W, FL, blue
- L-FMW-G3535W, FL, green
- L-FMW-R3535W, FL, red
- L-FMW-Y3535W, FL, yellow
- L-EXN-C5050W, FL, clear
- L-EXN-B5050W, FL, blue
- L-EXN-G5050W, FL, green
- L-EXN-R5050W, FL, red
- L-EXN-Y5050W, FL, yellow

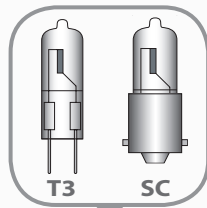
HALOGEN MR-11, FRONT GLASS

- L-FTB-C20 20W, NSP, clear
- L-FTH-C3535W, FL, clear



HALOGEN T3, T4, T3/SC

- L-10T3 10W, T3, G4 bi-pin halogen
 - L-20T320W, T3, G4 bi-pin halogen
 - L-35T435W, T4, GY6.35 bi-pin halogen
 - L-50T450W, T4, GY6.35 bi-pin halogen
 - L-10T3/SC 10W, T3/SC BA halogen
 - L-20T3/SC 20W, T3/SC BA halogen
- Halogen lamps life span is 2000 HRS.



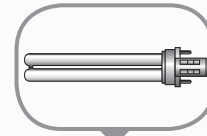
XENON T3, SC

- L-X10T3 10W, T3, G4 bi-pin xenon
 - L-X20T320W, T3, G4 bi-pin xenon
 - L-X10SC 10W, SC BA, xenon
 - L-X20SC 20W, SC BA, xenon
- Xenon lamps life span is 10000 HRS.



PAR36 SCREW TERMINAL

- L-P-441418W, FL, incand.
- L-P-25WFL25W, WFL, incand.
- L-P-50WFL50W, WFL, incand.
- L-PH-35WFL35W, WFL, halogen
- L-PH-50WFL50W, WFL, halogen
- L-PH-B30WFL30W, WFL, blue, halogen
- L-PH-G30WFL ..30W, WFL, green, halogen
- L-PH-R30WFL ..30W, WFL, red, halogen
- L-PH-Y30WFL ..30W, WFL, yellow, halogen
- L-PH-B50WFL .50W, WFL, blue, halogen
- L-PH-G50WFL .50W, WFL, green, halogen
- L-PH-R50WFL ..50W, WFL, red, halogen
- L-PH-Y50WFL ..50W, WFL, yellow, halogen



PL FLUORESCENT

- L-PL13-C 13W, cool white 4100K
- L-PL13-W 13W, warm white 2700K



SC BAYONET, CLEAR

- L-SCB-89 7W
- L-SCB-93 13W
- L-SCB-1141 18W
- L-SCB-1156 27W



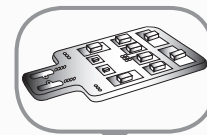
T5 WEDGE, CLEAR

- L-WDG-904 6W
- L-WDG-906 8W
- L-WDG-912 12W
- L-WDG-921 18W



MR-16 LED, BI-PIN

- L-ED16WW 1W, warm white



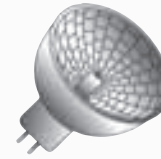
T5 WEDGE LED

- L-EDWDG 0.5W clear

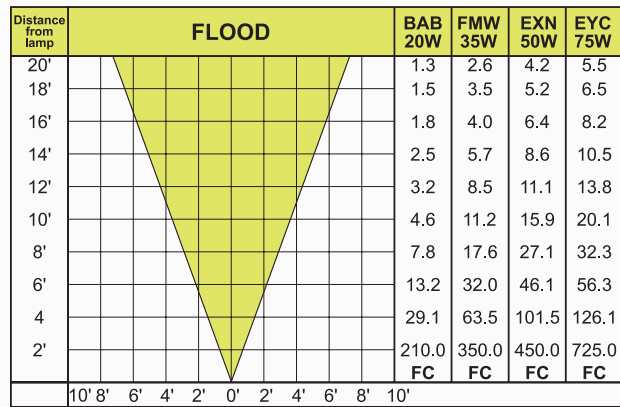


MR-16 HALOGEN LAMPS

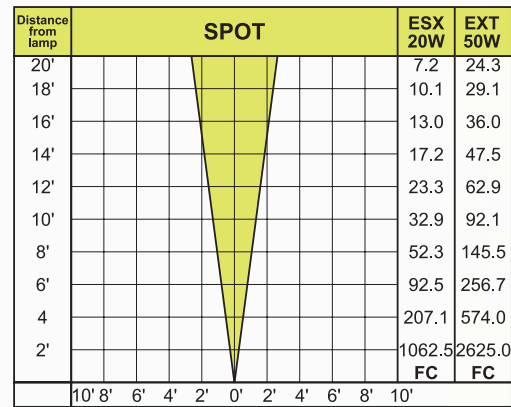
LAMP CODE	WATTS	VOLTS	BASE	BEAM SPREAD
BAB	20	12	Bi-Pin	Flood 36°
ESX	20	12	Bi-Pin	Spot 12°
FMW	35	12	Bi-Pin	Flood 36°
EXN	50	12	Bi-Pin	Flood 36°
EXT	50	12	Bi-Pin	Spot 12°
EYC	75	12	Bi-Pin	Flood 36°



12V MR-16



MR-16, Beam Spread 36°



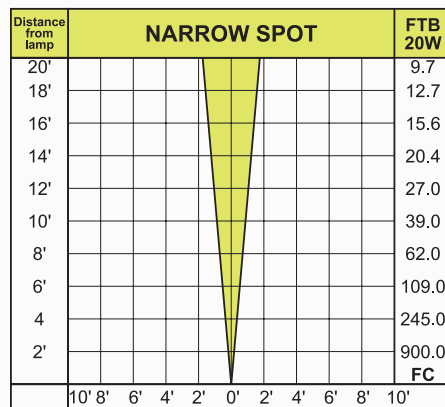
MR-16, Beam Spread 12°

MR-11 HALOGEN LAMPS

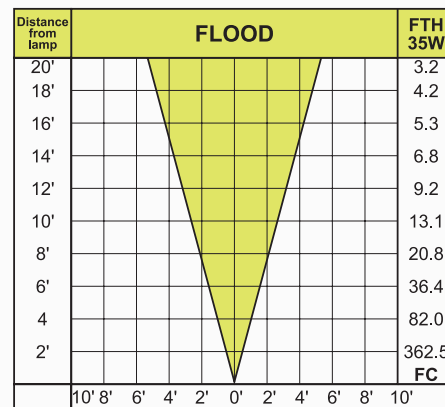
LAMP CODE	WATTS	VOLTS	BASE	BEAM SPREAD
FTB	20	12	Bi-Pin	N. Spot 10°
FTH	35	12	Bi-Pin	Flood 30°



12V MR-11



MR-11, Beam Spread 10°



MR-11, Beam Spread 30°

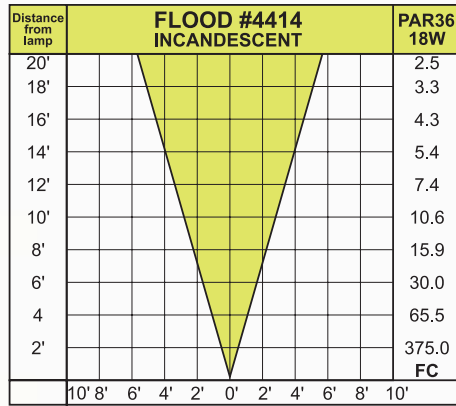
• Values are center beam footcandles (FC)

PAR 36 LAMPS

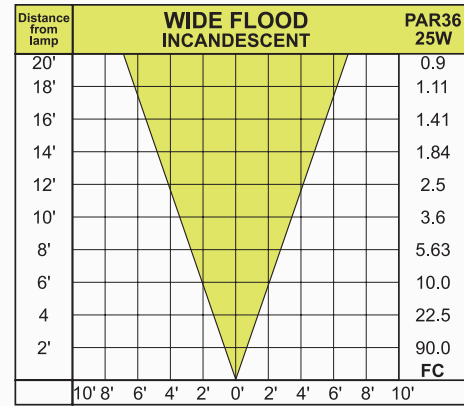


12V PAR36

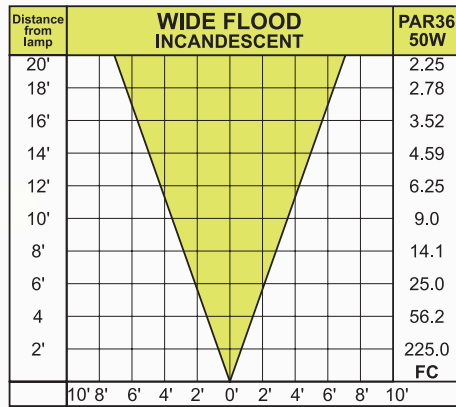
LAMP CODE	WATTS	VOLTS	BASE	BEAM SPREAD
INCANDESCENT:				
4414	18	12	Screw Terminal	Flood 32°
25WFL	25	12	Screw Terminal	W. Flood 37°
50WFL	50	12	Screw Terminal	W. Flood 39°
HALOGEN:				
H35WFL	35	12	Screw Terminal	W. Flood 40°
H50WFL	50	12	Screw Terminal	W. Flood 40°



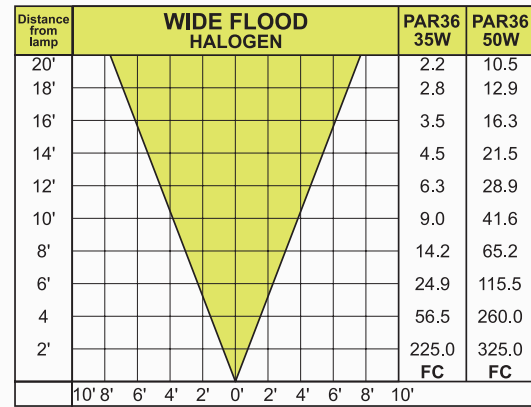
PAR36, Beam Spread 32°



PAR36, Beam Spread 37°

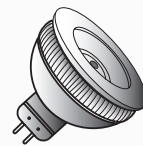


PAR36, Beam Spread 39°



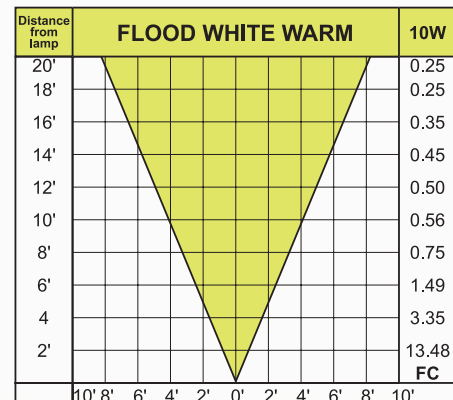
PAR36, Beam Spread 40°

MR-16 LED LAMPS



12V MR-16 LED

LAMP CODE	WATTS	VOLTS	BASE	BEAM SPREAD
LEDWW	10	12	Bi-Pin	Flood 45°



MR-16 LED, Beam Spread 45°

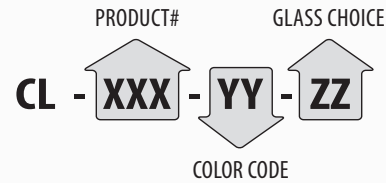
• Values are center beam footcandles (FC)

- Corona Lighting cast aluminum products are finished with a durable UV powder coating which offers the best paint adhesion and corrosion resistance.
- Corona Lighting offers natural finishes on brass, copper and stainless steel products as well as natural toning process on some brass products only (Finishes will vary due to artistic natural process).
- Not all finishes available for all fixtures. See page 1 through 8 to select appropriate finishes of each fixture before ordering.
- Due to printing techniques these colors may vary slightly from actual color.

12 VOLT FIXTURE ORDERING EXAMPLE:

AG: Amber-Green tulip glass

WH: White tulip glass



- When ordering, add 2 letter color code to product # and 2 letter color code of glass if applicable.

POWDER COATED		PLATED	NATURAL	NATURAL TONING
BK (Black)	RT (Rust)	CU (Copper)	BR (Brass)	AB (Antique Bronze)
BZ (Bronze)	VG (Verde Green)	PB (Polish Brass)	PC (Polish Copper)	OC (Old Copper)
GR (Green)	WH (White)	SI (Silver)	RC (Raw Copper)	<p>AB AND OC FINISHES ON SOME BRASS PRODUCTS ONLY.</p>
GT (Granite)		SS (Stainless Steel)		

COLOR ABBREVIATION GUIDE:

POWDER COATED COLORS: BK-Black, BZ-Bronze, GR-Green, GT-Granite, RT-Rust, VG-Verde Green, WH-White

PLATED COLORS: CU-Copper, PB-Polish Brass, SI-Silver

NATURAL COLORS: BR-Brass, PC-Polish Copper, RC-Raw Copper, SS-Stainless Steel.

NATURAL TONING PROCESS COLORS ON SOME BRASS PRODUCTS: AB-Antique Bronze, OC-Old Copper

DESIGN OF LOW VOLTAGE LIGHTING (LVL) SYSTEM

DESIGN OVERVIEW:

LVL system is a creative and flexible alternative for landscape. It is easy to install, safe to operate and maintain longer lamp life and significant energy savings. The two components of LVL system are direct burial cable and transformer.

12 VOLT TRANSFORMER SIZING:

Transformer reduces 120V to a safe 12V needed for low voltage lamps. The total lamp wattage of all fixtures connected to a transformer must be less than the capacity of transformer. To determine the size, add up wattage of all lamps and add 10% more for safety factor.

TRANSFORMER SIZE: TOTAL FIXTURES WATT x 1.1

Select a transformer that matches as close as to your total lamp wattage. If total wattage is too great, either divide the load between two transformers or use a more powerful model.

LOW VOLTAGE CABLE LENGTH:

Voltage drop has an important impact on LVL systems. Voltage drop occurs along the length of cable and lamps at the end of run dimmer than beginning. Voltage drop is a function of cable length, cable size, and total fixtures wattage. Voltage drop can be minimized in several different ways:

- Use heavier gauge cable
- Shorten cable length or runs
- Reduce wattage of each fixture.
- Use multiple transformers
- Reduce total number of fixtures on a run

Cable is measured by gauge. The lower gauge, the thicker cable and the more current it carries. Cable is available in 3 popular sizes of 12-2, 10-2 and 8-2. Refer to Cable Length Guide in below to estimate the maximum allowable cable length.

LOW VOLTAGE CABLE LENGTH GUIDE

MAXIMUM CABLE LENGTH PER TOTAL FIXTURE WATTS

Cable Size	Cable Constant	50W	100W	150W	200W	250W	300W
12-2	7500	300'	150'	100'	75'	60	----
10-2	11920	475'	240'	160'	120'	100'	80'
8-2	18960	750'	380'	250'	190'	150'	125'

CABLE LENGTH FORMULA:

$$\text{MAX. CABLE LENGTH} = \frac{\text{CABLE SIZE CONSTANT}}{\text{TOTAL FIXTURE WATTS}} \times 2$$

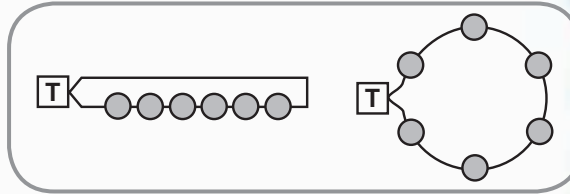
TIP: Expect a voltage drop of greater than 2 volts when cable length is longer than recommended. Use the above chart or formula to calculate max. cable length.

12 VOLT CABLE LAYOUT OPTIONS

TIP: Connect all lamps in parallel. Connect one side to "COM" and other side to "12V" terminal

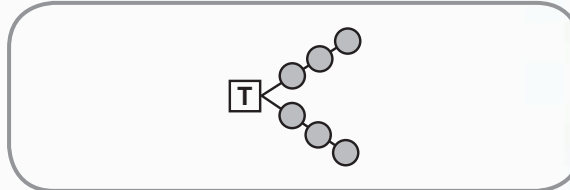
LOOP INSTALLATION:

Fixtures are arranged in a loop, reducing voltage drop.



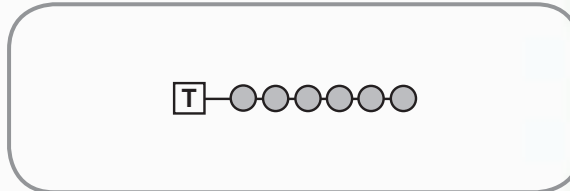
SPLIT LOAD INSTALLATION:

Fixtures run in two or more directions from transformer. Locating the transformer in the center of run reduces the effects of voltage drop.



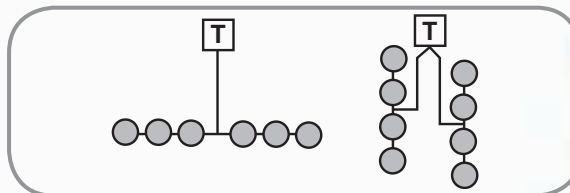
STRAIGHT RUN INSTALLATION:

Fixtures run in sequence directly from transformer.



"T" INSTALLATION:

Allows more equal distribution of power to center of the run, or to a run some distance away. Main cable must be heavier gauge (10-2 or 8-2).



TROUBLE SHOOTING CHECKLIST

Solutions to most common problems

ENTIRE SYSTEM WILL NOT OPERATE

1. Check 120V outlet to ensure power is on.
2. Check or re-set circuit breaker on transformer.
3. Check cable connection at transformer.
4. Check transformer by disconnecting cable from output terminals. By-pass timer and/or photocell.

FIXTURE HAS MOISTURE BUILT-UP INSIDE

1. Check shrouds and lens rings installed properly.
2. Check for missing or torn gaskets.
3. Check drainage holes for blockage.

CIRCUIT BREAKER ON TRANSFORMER TRIPS

1. Check cable for any short circuit.
2. Check connection of cable at transformer.
3. Recalculate total wattage to ensure not exceeding wattage of transformer or wire length of each run.

FIXTURE ON, BUT DIMS

1. Check connection point at power cable.
2. Recalculate total watts and max. cable length to insure voltage drop does not exceed 2 volts.

FIXTURE WILL NOT LIGHT

1. Check lamp for broken filament.
2. Check lamp for proper fit in socket.
3. Check fixture connection at power cable.

PRODUCT#	PAGE#	PRODUCT#	PAGE#	PRODUCT#	PAGE#	PRODUCT#	PAGE#
CL-301	32	CL-353	65	CL-513-BR	18	CL-636	43
CL-301-BR	30	CL-353-BR	64	CL-513-SS	19	CL-637	43
CL-301-SS	31	CL-353-SS	64	CL-515	21	CL-642	44
CL-302	32	CL-354	65	CL-515-BR	15	CL-643	44
CL-302-BR	30	CL-355	65	CL-516	24	CL-644	44
CL-302-SS	31	CL-356	66	CL-519B	11	CL-645B	38
CL-303	32	CL-357	67	CL-520B	16	CL-647C	39
CL-303-BR	30	CL-358	67	CL-520C	17	CL-648C	39
CL-303-SS	31	CL-359	67	CL-521B	16	CL-649B	38
CL-305	37	CL-360	68	CL-521C	17	CL-650B	39
CL-306	37	CL-361	68	CL-522C	14	CL-655B	40
CL-310	72	CL-362	68	CL-523-BR	13	CL-656B	40
CL-311	70	CL-366	69	CL-524-BR	13	CL-657B	41
CL-313-BR	71	CL-367	69	CL-525B	11	CL-658B	41
CL-320-NM	73	CL-379	62	CL-526B	11	CL-701	57
CL-321-NM	73	CL-380	62	CL-528B	12	CL-702	57
CL-324	36	CL-381	62	CL-529B	12	CL-704	56
CL-324-BR	34	CL-382	62	CL-535B	10	CL-705	56
CL-324-SS	35	CL-384	60	CL-545B	10	CL-707	57
CL-325	36	CL-385	61	CL-602	45	CL-708	59
CL-325-BR	34	CL-387	61	CL-603	45	CL-709	59
CL-325-SS	35	CL-389	61	CL-604	45	CL-710	58
CL-326	36	CL-391	61	CL-605	48	CL-711	58
CL-326-BR	34	CL-500	23	CL-607	50	CL-712B	53
CL-326-SS	35	CL-501	23	CL-608	50	CL-713B	53
CL-327-SS	33	CL-502	23	CL-609	50	CL-715B	54
CL-328-SS	33	CL-502-BR	15	CL-610	51	CL-715C	55
CL-331	28	CL-502-NM	25	CL-611	51	CL-716B	54
CL-331-BR	26	CL-503	23	CL-612	51	CL-716C	55
CL-331-SS	27	CL-503-BR	15	CL-614	46	CL-724B	52
CL-332	28	CL-503-NM	25	CL-615	46	CL-725B	52
CL-332-BR	26	CL-504	21	CL-616	47	CL-801-D	75
CL-332-SS	27	CL-505	21	CL-617	47	CL-801-F	77
CL-333	28	CL-506	22	CL-618	47	CL-802-D	75
CL-333-BR	26	CL-507	22	CL-620	49	CL-802-F	77
CL-333-SS	27	CL-508	24	CL-622	49	CL-803-D	75
CL-334	29	CL-509	24	CL-624	48	CL-803-F	77
CL-336	29	CL-510	22	CL-625	48	CL-806-D-SI	74
CL-342B	63	CL-511	20	CL-626	48	CL-806-F-SI	76
CL-343B	63	CL-511-BR	18	CL-627	49	CL-807-D	75
CL-350	66	CL-511-SS	19	CL-628	49	CL-807-D-SI	74
CL-351	66	CL-512	20	CL-630	42	CL-807-F	77
CL-352	65	CL-512-BR	18	CL-631	42	CL-807-F-SI	76
CL-352-BR	64	CL-512-SS	19	CL-632	42	CX-208	86
CL-352-SS	64	CL-513	20	CL-635	43	CX-210	86



INDEX

PRODUCT#	PAGE#	PRODUCT#	PAGE#	PRODUCT#	PAGE#	PRODUCT#	PAGE#
CX-212	86	CX-720	85	L-FTB-20	88	T-CX-500	82
CX-238	86	CX-721	85	L-FTB-C20	88	T-CX-600	82
CX-239	86	CX-722	85	L-FTH-35	88	T-CX-900	82
CX-240	86	CX-723	85	L-FTH-C35	88	T-CX-1000	82
CX-241	86	CX-724	85	L-P-25WFL	88	T-CX-1200	82
CX-242	86	CX-839	86	L-P-4414	88	T-DB-300	84
CX-243	86	CX-852	85	L-P-50WFL	88	T-DB-600	84
CX-251-FR	86	CX-854	86	L-PH-35WFL	88	T-DB-900	84
CX-302	86	CX-855	86	L-PH-50WFL	88	T-FIT	81
CX-303	86	CX-856	86	L-PH-B30WFL	88	T-LET-75	84
CX-304	86	CX-857	86	L-PH-B50WFL	88	T-LET-151	84
CX-340	86	CX-858	86	L-PH-G30WFL	88	T-LRT-60	84
CX-380-FR	86	ES-1303	78	L-PH-G50WFL	88	T-LVT-303	84
CX-381-FR	86	ES-2603	78	L-PH-R30WFL	88	T-MT300	80
CX-601	85	L-10T3	88	L-PH-R50WFL	88	T-MT600	80
CX-602	85	L-20T3	88	L-PH-Y30WFL	88	T-MT1000	80
CX-603	85	L-35T4	88	L-PH-Y50WFL	88	T-MT1200	80
CX-604	85	L-50T4	88	L-PL13-C	88	T-MT-FIP	81
CX-621	85	L-10T3/SC	88	L-PL13-W	88	T-ST300	79
CX-622	85	L-20T3/SC	88	L-SCB-89	88	T-ST600	79
CX-624	85	L-BAB-20/MB	88	L-SCB-93	88	T-ST900	79
CX-640	85	L-BAB-B20	88	L-SCB-1141	88	T-ST-FIP	81
CX-641	85	L-BAB-C20	88	L-SCB-1156	88	WS-40	78
CX-642	85	L-BAB-G20	88	L-WDG-904	88	X-PAM01	87
CX-643	85	L-BAB-R20	88	L-WDG-906	88	X-PAM02	87
CX-646	85	L-BAB-Y20	88	L-WDG-912	88	X-PA011	87
CX-647	85	L-ED16WW	88	L-WDG-921	88	X-PAT01	87
CX-671	86	L-EDWDG	88	L-X10SC	88	X-PHC01	87
CX-672	86	L-ESX-20	88	L-X20SC	88	X-PHC02	87
CX-673	86	L-ESX-20/MB	88	L-X10T3	88	X-PHR03	87
CX-680	86	L-EXN-50/MB	88	L-X20T3	88	X-PHR04	87
CX-697	86	L-EXN-B50	88	T-BB-100	83	X-PHS01	87
CX-698	86	L-EXN-C50	88	T-BB-150	83	X-PLM01	87
CX-699	86	L-EXN-G50	88	T-BB-250	83	X-XPDI3	87
CX-700	85	L-EXN-R50	88	T-BB-500	83	X-XPMT1	87
CX-701	85	L-EXN-Y50	88	T-BB-750	83	X-XPS3	87
CX-702	85	L-EXT-50	88	T-BB-1000	83		
CX-703	85	L-EXT-50/MB	88	T-BB-1500	83		
CX-704	85	L-EYC-75/MB	88	T-BB-2000	83		
CX-705B	85	L-FMW-35/MB	88	T-C-150	82		
CX-710	85	L-FMW-B35	88	T-C-200	82		
CX-711	85	L-FMW-C35	88	T-C-250	82		
CX-712	85	L-FMW-G35	88	T-C-300	82		
CX-713	85	L-FMW-R35	88	T-C-750	82		
CX-714	85	L-FMW-Y35	88	T-CX-300	82		



1633 Staunton Avenue
Los Angeles, California 90021
Tel: 800-727-9262 • 213-747-4500
Fax: 800-727-9957 • 213-747-3234
E-mail: sales@coronalighting.com

WWW.CORONALIGHTING.COM

Re-production of information, photographs and artwork used in this catalog without the written consent of Corona Lighting Inc. is strictly prohibited.
Corona Lighting reserves the right to make any changes and improvement to the design and construction of products in this catalog. Therefore, some products and specifications may change during the life of this catalog.

© 2009, Corona Lighting Inc., All rights reserved. • Printed in U.S.A. • Design: A2Z Graphics



Form CL-PC09
\$15.00