



2012 Belgard Product Guide



Creation Begins With The Elements.™



HARMONY
OUTDOOR LIVING INC.



Elements

“Elements are pre-built modular units that are manufactured with Belgard product by Harmony Outdoor Living, Inc. They are designed to flow seamlessly with the surrounding hardscape. Each module comes with fork slots that allow them to be installed with skid steers, forklifts, or even cranes.

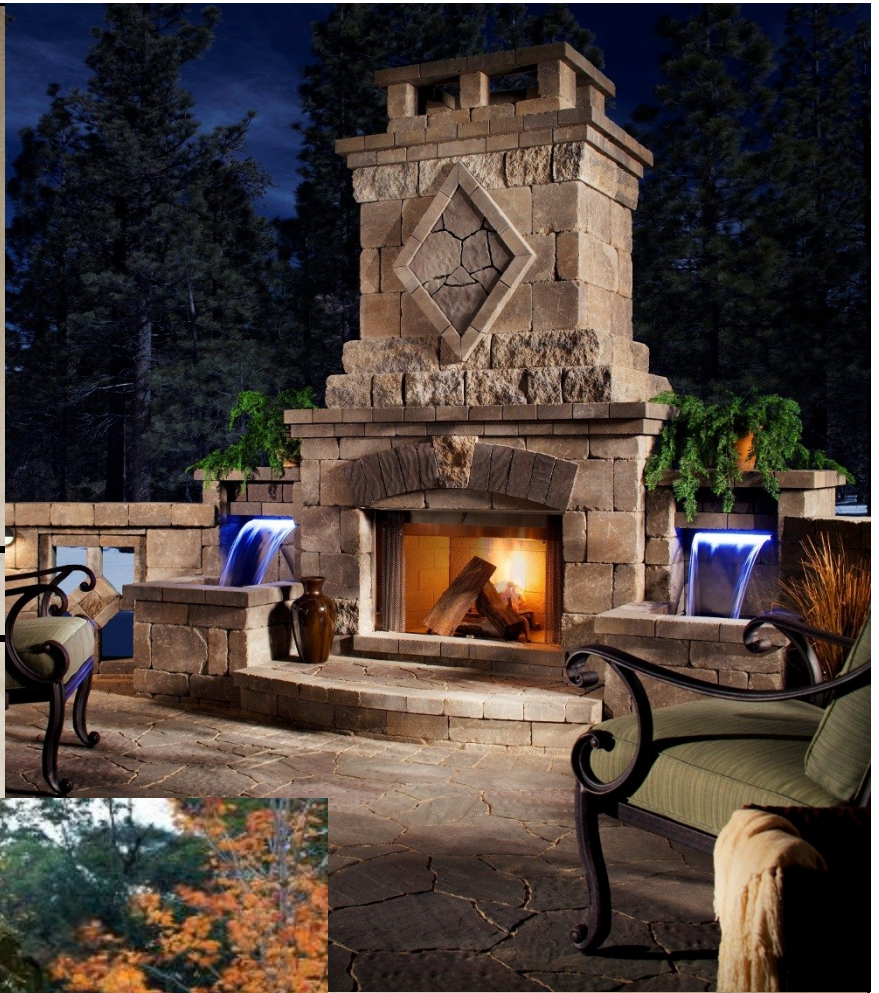
Please note the following when placing an order:

- *Please list the product ID/SKU*
- *Choose a standard color scheme (or contact us for a 3D image of a custom color combination)*
- *“Custom colors & accents” are available - call for information*
- *Make sure to check the weights and plan to have the appropriate machine available*
- *List any additional features/ upgrades, for example : lighting, accent changes, accessories, etc.*





The Bristol Collection



Bristol Fireplace



- Product ID—BLFRPW (36" wood)
- *Product ID—BLFRPBOG (gas burning, without chimney)
- *Product ID—BLFRPBG (gas burning, with chimney/top)
- *Product ID—BLFRPBOL (LP burning, without chimney/top)
- *Product ID—BLFRPBL (LP burning, with chimney/top)

Approximate weight : Rough dimensions :
 Bottom unit—3935 lbs. 3' D x 5' W x 9.5' H
 Top unit —3100 lbs.

* Please note gas & LP are special order units and may have an increased lead time. Contact your rep for info.

Bristol Wood Box Set



Approximate weight :
 per box - 3800 lbs.

Rough dimensions :
 2.3' D x 3' W x 3.25' H

Product ID—BLWDBX

Bristol Water Feature Set



Approximate weight :
 3870 lbs.

Rough dimensions :
 4' D x 2' W x 3.5' H

Product ID—BLWFPR

Bristol Arched Hearth



Approximate weight :
 1080 lbs.

Rough dimensions :
 2' D x 5' W x .9' H

Product ID—BLHTA

Bristol Grill Island



* Includes : AOG 36" Grill & AOG 30" Doors

Approximate weight:
 3834 lbs.

Rough dimensions :
 3' D x 6.3' W x 4.3' H

Product ID—BLGRISL

Bristol 24" Water Feature

* Please note this is a special order item and may have an increased lead time. Contact your rep for info.



Approximate weight:
 3075 lbs.

Rough dimensions :
 3.7' D x 4.3' W x 4' H

Product ID—BLWATFT

Bristol Brick Oven



Approximate weight :
 Bottom unit—3015 lbs.
 Top unit—3485 lbs.

Rough dimensions :
 4' D x 4' W x 8.1' H

Product ID—BLBRO

Body	Accent
Cotswold Mist	Brookstone Slate
Gascony Tan	Ashbury Haze



The Brighton Series



“The Brighton Fireplace series offers an attractive alternative to site built kits. Their lower price point opens them up to a wide market of consumers. Note the built-in Hearth and wrought iron inlay.”

Brighton Fireplace



- Product ID—BTFFPAW (36" wood)
- *Product ID—BTFFPABG (gas burning, without chimney)
- *Product ID—BTFFPATG (gas burning, with chimney/top)
- *Product ID—BTFFPABGL (LP burning, without chimney/top)
- *Product ID—BTFFPATGL (LP burning, with chimney/top)

* Please note gas & LP are special order units and may have an increased lead time. Contact your rep for info.

Approximate weight :
 Bottom unit—4495 lbs.
 Top unit —1130 lbs.

Rough dimensions :
 3' D x 4.3' W x 8.5'

Brighton Wood Boxes



Approximate weight : 2475 lbs.

Rough dimensions : 2.3' D x 3' W x 2.9' H

Product ID—BTWDBX



The Wexford Collection



*** The following Elements are special order items and may have an increased lead time. Please contact your rep for info.**

Wexford Fireplace



Product ID—WXFRPW (36" wood)

Product ID—WXFRPBOG
(gas burning, without chimney)

Product ID—WXFRPBG
(gas burning, with chimney/top)

Product ID—WXFRPBOL
(LP burning, without chimney/top)

Product ID—WXFRPBL
(LP burning, with chimney/top)

Approximate weight :
Bottom unit—3843 lbs.
Top unit —2703 lbs.

Rough dimensions :
3' D x 5' W x 9.5' H

Wexford Wood Box Set



Approximate weight :
per box - 1907 lbs.

Rough dimensions :
2.3' D x 3' W x 3.25' H

Product ID—WXWDBX

Wexford Water Feature Set (12")



Approximate weight :
3675 lbs.

Rough dimensions :
4' D x 2' W x 3.5' H

Product ID—WXWFPR

Wexford Straight Hearth



Approximate weight :
1160 lbs.

Rough dimensions :
2' D x 5' W x .9' H

Product ID—WXHTS

Wexford Grill Island



* Includes : AOG 36" Grill & AOG 30" Doors

Approximate weight:
3895 lbs.

Rough dimensions :
3' D x 6.3' W x 4.3' H

Product ID—WXGRISL

Wexford 24" Water Feature



Approximate weight :
3340 lbs.

Rough dimensions :
3.7' D x 4.3' W x 4' H

Product ID—WXWATFT

Wexford Brick Oven



Approximate weight :
Bottom unit—3040 lbs.
Top unit—3800 lbs.

Rough dimensions :
4' D x 4' W x 7.75' H

Product ID—WXBRO

*** The above Elements are special order items and may have an increased lead time. Please contact your rep for info.**



The Nottingham Collection

The following Elements are special order items and may have an increased lead time. Please contact your rep for info.



Nottingham Fireplace



Product ID—NTFRPW (36" wood)

Product ID—NTFRPBOG
(gas burning, without chimney)

Product ID—NTFRPBG
(gas burning, with chimney/top)

Product ID—NTFRPBOL
(LP burning, without chimney/top)

Product ID—NTFRPBL
(LP burning, with chimney/top)

Approximate weight :
Call for details.

Rough dimensions :
3.17' D x 6' W x 10' H

Nottingham Wood Box Set



Approximate weight :
Call for details.

Rough dimensions :
2.8' D x 3.75' W x 3.1' H

Product ID—NTWDBX

Nottingham Water Feature Set (12")



Approximate weight :
Call for details.

Rough dimensions :
4' D x 2.3' W x 3.5' H

Product ID—NTWFPR

Nottingham Arched Hearth



Approximate weight :
Call for details.

Rough dimensions :
2.3' D x 6' W x .9' H

Product ID—NTHTA

Nottingham 24" Water Feature



Approximate weight :
Call for details.

Rough dimensions :
3.7' D x 4.5' W x 4' H

Product ID—NTWATFT

Nottingham Brick Oven



Approximate weight :
Call for details.

Rough dimensions :
4' D x 4.7' W x 7.75' H

Product ID—NTBRO

*** The above Elements are special order items and may have an increased lead time. Please contact your rep for info.**



The following Elements are special order items and may have an increased lead time. Please contact your rep for info.

The Jamestown Collection



Jamestown Fireplace



- Product ID—JMFRPW (wood)

- Product ID—JMFRPBOG (gas burning, without chimney)

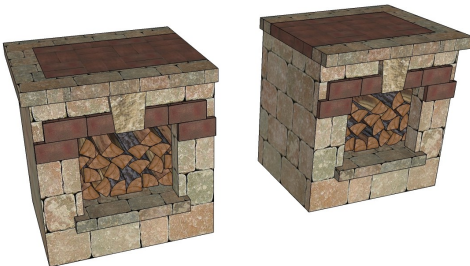
- Product ID—JMFRPBG (gas burning, with chimney/top)

- Product ID—JMFRPBOL (LP burning, without chimney/top)

- Product ID—JMFRPBL (LP burning, with chimney/top)

Approximate weight : Rough dimensions :
 Call for details. 3.17' D x 6' W x 10' H

Jamestown Wood Boxes



Approximate weight :
 Call for details.

 Rough dimensions :
 2.8' D x 3.75' W x 3.1' H

Product ID—JMWDBX

Jamestown Hearth



Approximate weight : Rough dimensions :
 Call for details. 2.3' D x 6' W x .9' H

Product ID—JMHTS

Jamestown Water Feature



Approximate weight :
 Call for details.

 Rough dimensions :
 3.7' D x 4.5' W x 4' H

Product ID—JMWATFT

Jamestown Brick Oven



Approximate weight :
 Call for details.

 Rough dimensions :
 4' D x 4.7' W x 7.75' H

Product ID—JMBRO



The Euro Series

* The following Elements are special order items and may have an increased lead time. Please contact your rep for info.

Euro See-Thru Fireplace

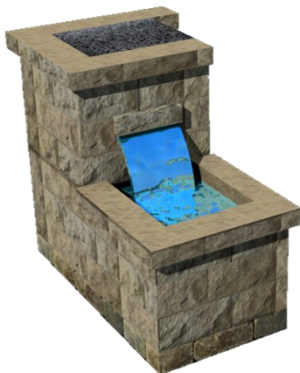


Approximate weight & dimensions :
Call for details.

Product ID—EUF RPST



Euro Water Feature



Approximate weight & dimensions :
Call for details.

Product ID—EUWTF TL (Left Side)

Product ID—EUWTF TR (Right Side)

Euro Bench



Approximate weight & dimensions :
Call for details.

Product ID—EUBENCHL (Left Side)

Product ID—EUBENCHR (Right Side)

Euro Display Cabinet (Small)

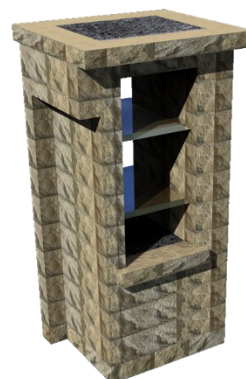


Approximate weight & dimensions :
Call for details.

Product ID—EUWDBXL (Left Side)

Product ID—EUWDBXR (Right Side)

Euro Display Cabinet (Large)



Approximate weight & dimensions :
Call for details.

Product ID—EUTOWERL (Left Side)

Product ID—EUTOWERR (Right Side)



Low Voltage Lighting Upgrades



— **RotondoLuna**

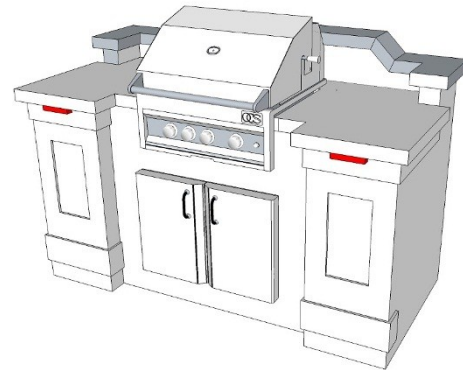


— **BelloPerimetro**

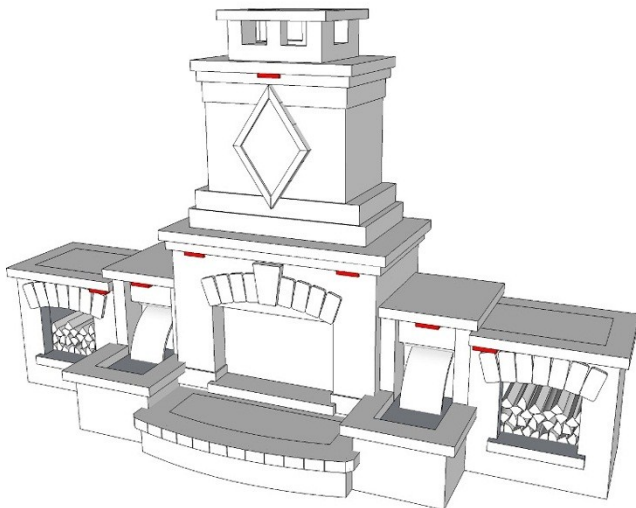
“Low Voltage Lighting fixtures from FX are available as upgrades. Please contact us directly for specific colors. We offer the following models : BelloPerimetro (lip light) and RotondoLuna (for brick ovens). Below are lighting diagrams of possible lighting locations. Be sure to specify which model, color, and location you prefer. Note, each light comes with enough wire to protrude from the back of the Element. They DO NOT include any connectors or transformers.”



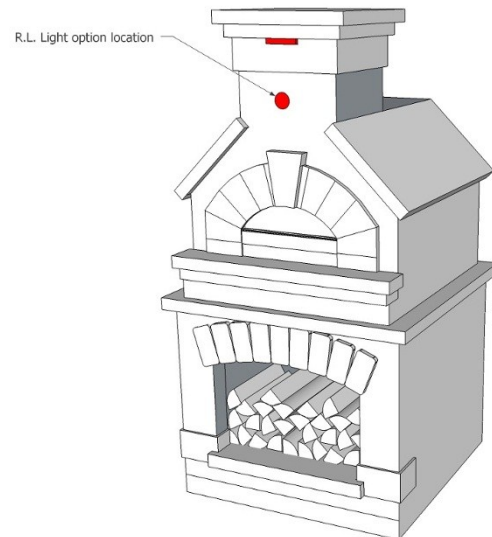
Grill Island



Fireplace Units



Brick Oven





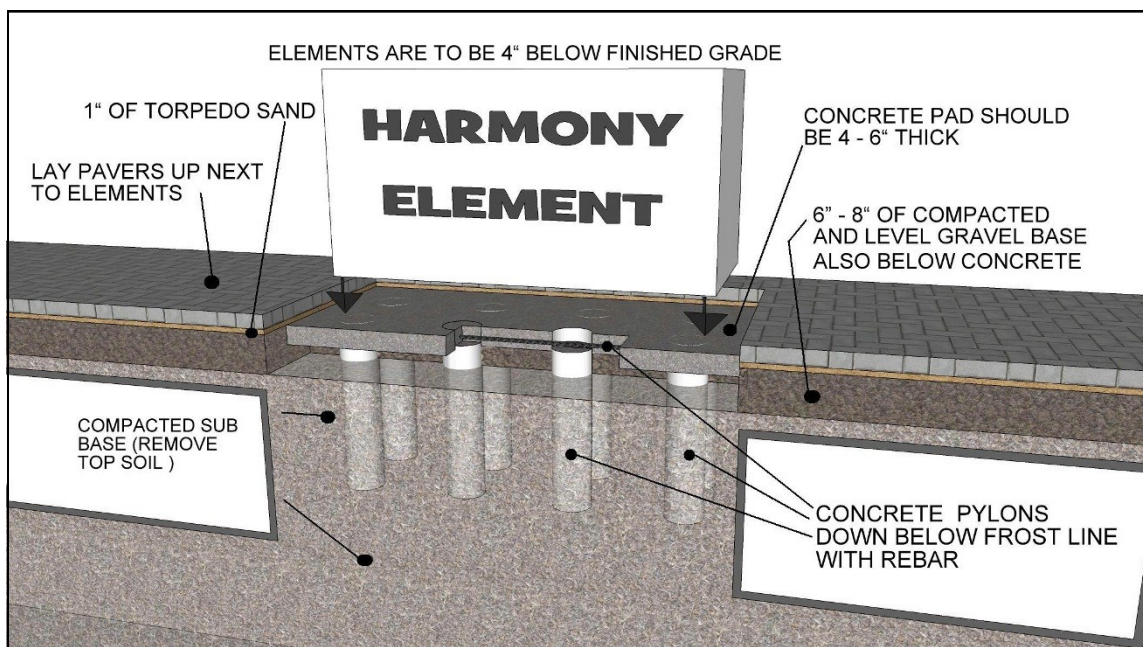
Installation Instructions



Installation

“Elements are very easy to install. Here are a couple cross section details to consider. Keep in mind, these ARE NOT engineered plans. Make sure you check with your local municipality for their requirements when installing Elements. Here are a few other key points to remember:

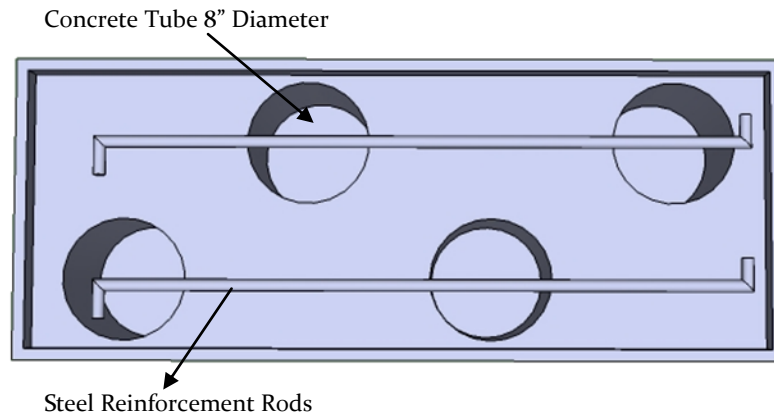
- *Always place a piece of material (plywood or carpet work well) between your forks and the Element to prevent chipping*
- *Always transport the Element on the pallet it comes with until you are ready to place on the permanent location*
- *Make sure to use a ratchet strap to secure the Element to the loader when placing*
- *Handle Elements with care – they are concrete but not indestructible*
- *Make sure to size the machine to the Elements weight*
- *All Elements are designed to be buried 4” below finish grade (note – bars need to be buried 8” below finish grade)*



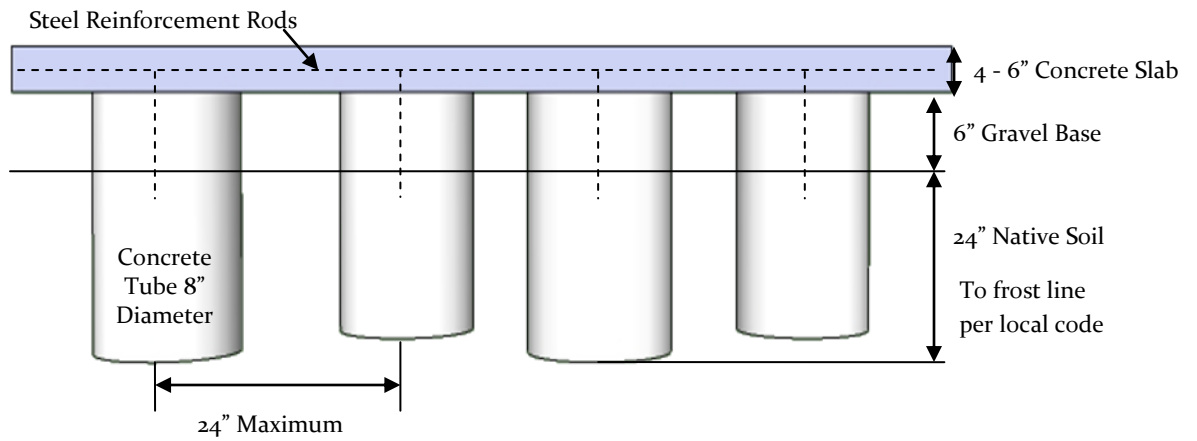
Typical Cross Section for Concrete Pad Installation

**** The following measurements are a suggestion. Always check your local building codes before installing.**

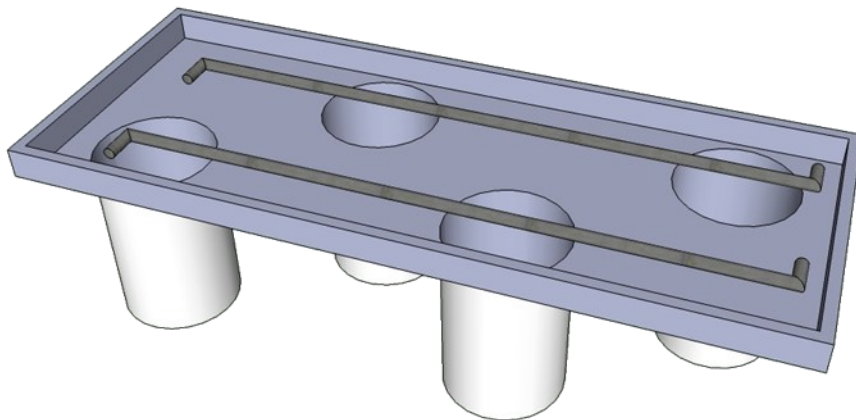
Top View



Side View



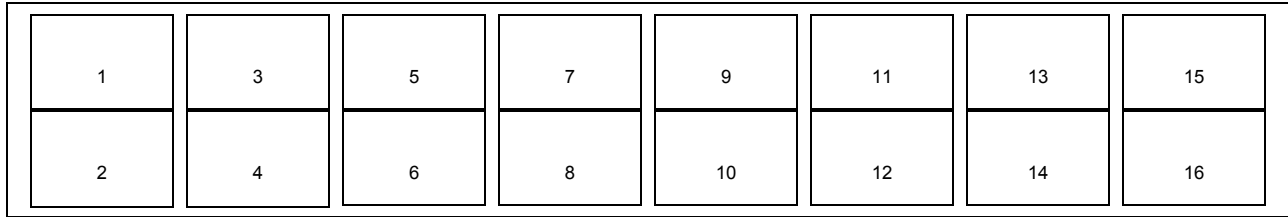
3D View



Trailer Layout Guide

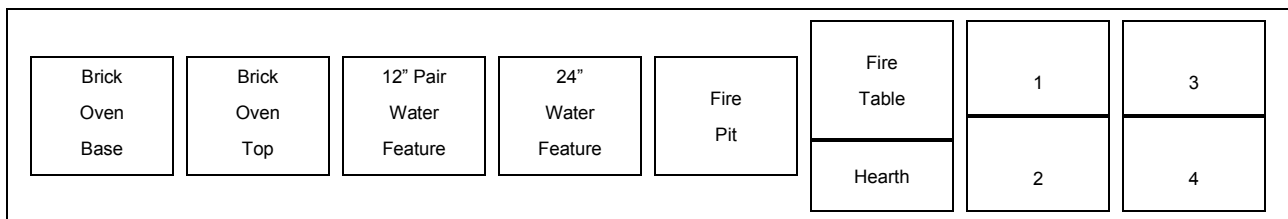
Load 1

lbs



Load 2

lbs



Load 1

Load 1 shows a layout for the number of Elements that can be loaded on a typical 48 ft trailer. We start with 16 and break it down by weight from there. Because of weight we can only get 7 Bristol or Wexford fireplaces on a full load which means we will use 14 slots. For the Brighton fireplace we can use all 16 so we get 8 fireplaces on.

* Make sure the truck can haul 48,000lbs when taking 7 fireplaces.

Load 2

Load 2 shows the items that will take up 2 slots because of their size. It also shows how we sometimes will stack the hearths on a load.

The best thing to do is follow this guide and then we will make a minor adjustment on a piece or two once we receive the order. Any questions please let us know.



Creation Begins With The Elements. TM



HARMONY
OUTDOOR LIVING INC.

Harmony Outdoor Living, Inc.

701 Blackhawk Dr. - Unit F

Burlington, WI 53105

www.HarmonyOutdoorLiving.com